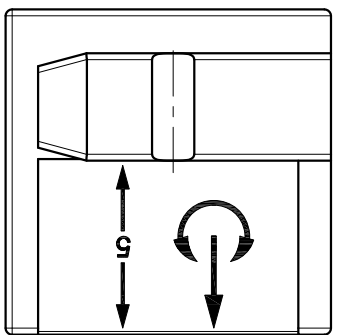


REVISION RECORD				
REV	ECN	DESCRIPTION	DRFT	DATE



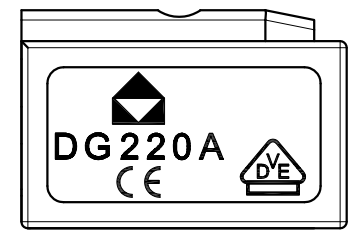
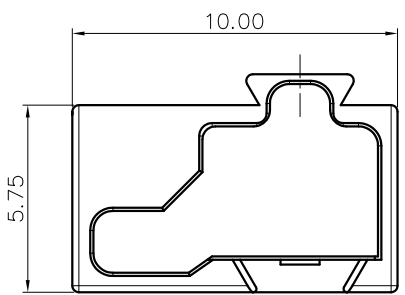
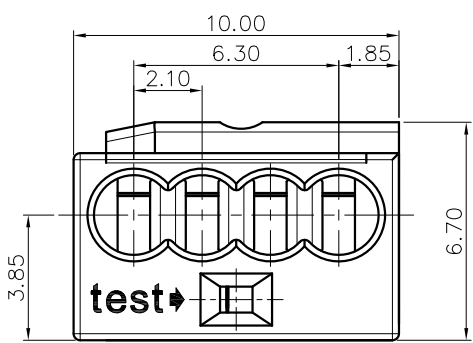
NOTES1:  
 UL Standard  
 1.Rated voltage/current : 150V / 7A  
 2.Wire range : 22~18AWG(SOL)

IEC Standard  
 1.Rated voltage/current : 130V / 13.5A  
 2.Wire range : 0.5~1.0mm<sup>2</sup>(SOL)

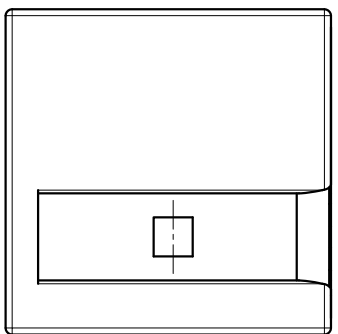
NOTES2:  
 1.Dimension shall be interpreted per ASME Y14.5-2009  
 2.Pitch : 2.1mm, Poles : 04P  
 3.Stripping length : 5~6mm  
 4.Withstanding voltage : AC1250V/1Min  
 5.Operating temperature: -40°C~+105°C  
 6.Undimensioned tolerances:

Pitch range in mm		Nominal dimension range in mm					
TO	Over TO	TO	Over TO	TO	Over TO	0.1/10	
6	10	24	30	60	100	150	150
±0.15	±0.20	±0.30	±0.30	±0.50	±0.70	±1.00	±1.30
							±2'

7.RoHS Compliance



DG220A - 2.1 - 04P - 1Y - 00A (H)  
 (Series No.)(Pitch)(Poles)(Single Pitch)(Color):1.(Grey) 6.(Red)  
 2.(Blue) 7.(Transparent)  
 3.(Black) 8.(Yellow)  
 4.(Green) 9.(White)  
 5.(Orange)



DETACHED LISTS	PART NO.:	/			
	APPD:	/			
	CHKD:	/			
	DRFT:	/			
	 THIRD ANGLE PROJECTION		 DO NOT SCALE DRAWING		NAME: DG220A-2.1-04P-1Y-00A(H)
DRAWING NO.:		/		REV	DO
MM (INCH)		/		SHEET	1/1
				SCALE	1:1