



RECTIFIERS PRODUCT CATALOGUE

整流器件产品手册



2020年10月第三版

公司简介

扬州扬杰电子科技股份有限公司是国内少数集半导体分立器件芯片设计、制造、器件封装测试、终端销售与服务等产业链垂直



一体化 (IDM) 的杰出厂商。产品线涵盖分立器件芯片、整流器件、保护器件、小信号、MOSFET、功率模块、碳化硅等一揽子产品解决方案。

公司产品广泛应用于电源、家电、照明、安防、网通、消费电子、新能源、工控、汽车电子等多个领域。

公司于 2014 年 1 月 23 日在深交所上市，证券代码 300373，相信在您的关怀支持下，我们一定能够实现让世界信赖中国半导体的愿景。

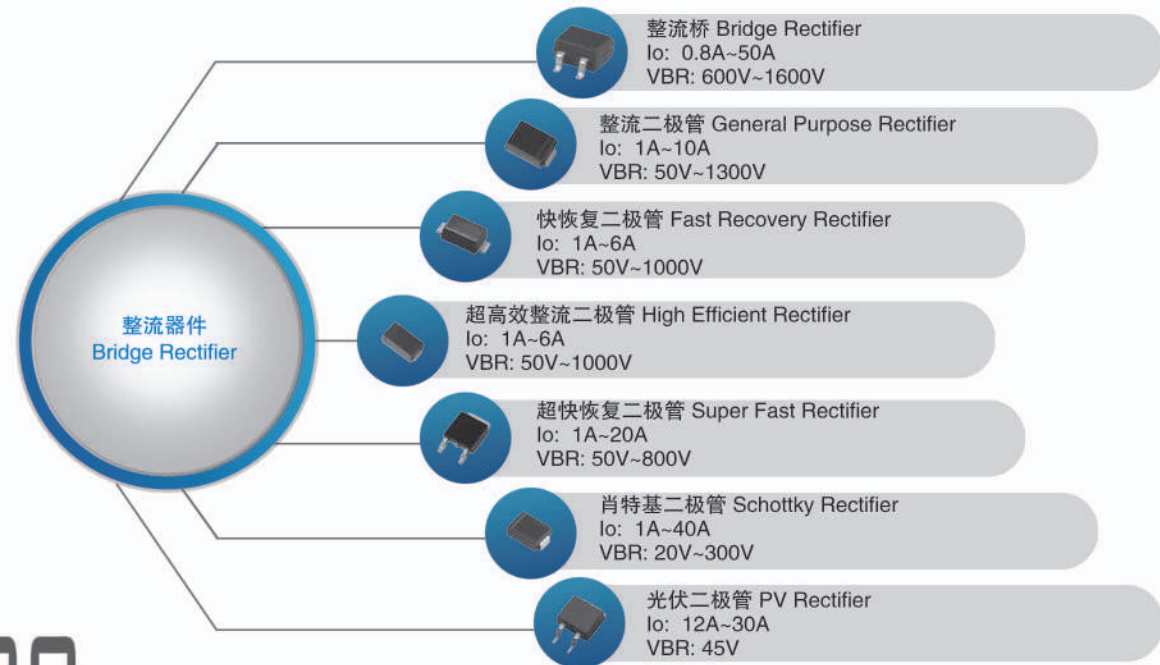
Yangzhou Yangjie Electronic Technology Co., Ltd. is one of the few outstanding IDM manufactures in China which integrates discrete semiconductor chip design and production, semiconductor component assembly and test as well as market sales&services. We have a wide range of products including discrete semiconductor chips, rectifiers, protection devices, small signal parts, mosfets, power modules and SiC diodes which offer one-stop solution to our customers.

Our products are widely used in power supply, home appliance, lighting, security, telecommunication, customer electronics, green energy, industrial and automatic control, automotive electronics and other fields.

We were listed in Shenzhen Stock Exchange Market in 23 january, 2014 with stock code 300373. We believe that we could achieve our vision "let the world trust Chinese semiconductor" with your support.



01 产品大类 Product Type



02 产品特点 Product Features

- a** 全系列整流器件产品方案，多达几十种封装
Complete rectifier product portfolio with diversified packages
- b** 可以匹配Low VF、Low IR和高结温产品
Low VF, Low IR and High Tj series are available
- c** 先进的自动化生产设备确保产品精度和稳定的可靠性
Advanced automatic production ensure parameter accuracy and stable reliability
- d** 4寸和6寸两座晶圆FAB厂，具备自主晶圆设计和供应能力
4" and 6" two wafer fabs back-up with in-house design and production capability
- e** 具备车规级生产管理能力，独立的产线已投入运行
Automotive grade production capability

03 产品应用 Product Application



04 我们的客户 Our Client



CATALOG

目录

- 整流桥
BRIDGE RECTIFIER1-12
- 整流二极管
GENERAL PURPOSE RECTIFIER13-17
- 快恢复二极管
FAST RECOVERY RECTIFIER18-21
- 超高效整流二极管
HIGH EFFICIENT RECTIFIER22-25
- 超快恢复二极管
SUPER FAST RECTIFIER26-32
- 肖特基二极管
SCHOTTKY RECTIFIER33-43
- 光伏二极管
PV DIODE44
- 封装尺寸图
OUTLINE DRAWING45-51
- 焊盘尺寸图
SUGGESTED PAD LAYOUT51-54
- 包装形态
PACKING55-56
- 可靠性试验项目
RELIABILITY TEST ITEM57

整流桥 BRIDGE RECTIFIER

型号 TYPE NO.	最大反向峰值电压 Max.Reverse Voltage	最大正向电流 Max.Aver. Rect.Current	最大正向浪涌电流 Peak Fwd. Surge Current	最大正向压降 Max.Fwd. Voltage @25°C & Rated Io		最大反向漏电流 Maximum Reverse Current@Rated VRM&Tc		典型热阻 Typical Thermal Resistance	工作结温 Operating Temp.Range	封装 Package
	VRM(V)	Io(A)	IFSM(A)	Rated Io(A)	VF(V)	IR@25°C IR (uA)	IR@100°C IR (uA)	R θJA/R θJC (°C/W)	Tj(°C)	
HD6S	600	0.8	30	0.4	1.0	5	100	76	-55~+150	MBS
HD8S	800	0.8	30	0.4	1.0	5	100	76	-55~+150	MBS
HD10S	1000	0.8	30	0.4	1.0	5	100	76	-55~+150	MBS
MB6S	600	0.8	30	0.4	1.0	5	100	76	-55~+150	MBS
MB8S	800	0.8	30	0.4	1.0	5	100	76	-55~+150	MBS
MB10S	1000	0.8	30	0.4	1.0	5	100	76	-55~+150	MBS
MB6SA	600	1.0	35	0.5	1.0	5	100	76	-55~+150	MBS
MB8SA	800	1.0	35	0.5	1.0	5	100	76	-55~+150	MBS
MB10SA	1000	1.0	35	0.5	1.0	5	100	76	-55~+150	MBS
MBSK14S	40	1.0	30	0.5	0.5	500	10000	76	-55~+125	MBS
MBSK16S	60	1.0	30	0.5	0.7	500	10000	76	-55~+150	MBS
MBSK18S	80	1.0	30	0.5	0.85	100	5000	76	-55~+150	MBS
MBSK110S	100	1.0	30	0.5	0.85	100	5000	76	-55~+150	MBS
MBSK24S	40	2.0	50	1.0	0.5	500	10000	76	-55~+125	MBS
MBSK26S	60	2.0	50	1.0	0.7	500	10000	76	-55~+150	MBS
MBSK28S	80	2.0	50	1.0	0.85	100	5000	76	-55~+150	MBS
MBSK210S	100	2.0	50	1.0	0.85	100	5000	76	-55~+150	MBS
HDL6S	600	0.8	30	0.4	1.0	5	100	76	-55~+150	MBLS
HDL8S	800	0.8	30	0.4	1.0	5	100	76	-55~+150	MBLS
HDL10S	1000	0.8	30	0.4	1.0	5	100	76	-55~+150	MBLS
MBL6S	600	0.8	30	0.4	1.0	5	100	76	-55~+150	MBLS
MBL8S	800	0.8	30	0.4	1.0	5	100	76	-55~+150	MBLS
MBL10S	1000	0.8	30	0.4	1.0	5	100	76	-55~+150	MBLS
MBL6SA	600	1.0	35	0.5	1.0	5	100	76	-55~+150	MBLS
MBL8SA	800	1.0	35	0.5	1.0	5	100	76	-55~+150	MBLS
MBL10SA	1000	1.0	35	0.5	1.0	5	100	76	-55~+150	MBLS
MBLSK14S	40	1.0	30	0.5	0.50	500	10000	76	-55~+125	MBLS
MBLSK16S	60	1.0	30	0.5	0.70	500	10000	76	-55~+150	MBLS
MBLSK110S	100	1.0	30	0.5	0.85	100	5000	76	-55~+150	MBLS
MBLSK24S	40	2.0	50	1.0	0.5	500	10000	76	-55~+125	MBLS
MBLSK26S	60	2.0	50	1.0	0.7	500	10000	76	-55~+150	MBLS
MBLSK210S	100	2.0	50	1.0	0.85	100	5000	76	-55~+150	MBLS
ABS6	600	1.0	35	0.5	0.95	5	100	62.5	-55~+150	ABS
ABS8	800	1.0	35	0.5	0.95	5	100	62.5	-55~+150	ABS
ABS10	1000	1.0	35	0.5	0.95	5	100	62.5	-55~+150	ABS
ABS1506	600	1.5	40	0.7	0.95	5	100	62.5	-55~+150	ABS
ABS1508	800	1.5	40	0.7	0.95	5	100	62.5	-55~+150	ABS
ABS1510	1000	1.5	40	0.7	0.95	5	100	62.5	-55~+150	ABS
ABS26	600	2.0	45	1.0	0.95	5	100	62.5	-55~+150	ABS
ABS28	800	2.0	45	1.0	0.95	5	100	62.5	-55~+150	ABS
ABS210	1000	2.0	45	1.0	0.95	5	100	62.5	-55~+150	ABS
ABSK14S	40	1.0	30	0.5	0.50	500	10000	62.5	-55~+125	ABS
ABSK16S	60	1.0	30	0.5	0.70	500	10000	62.5	-55~+150	ABS



MBS



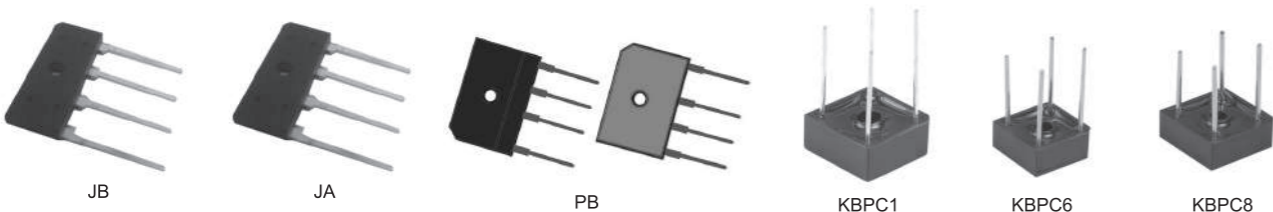
MBLS



ABS

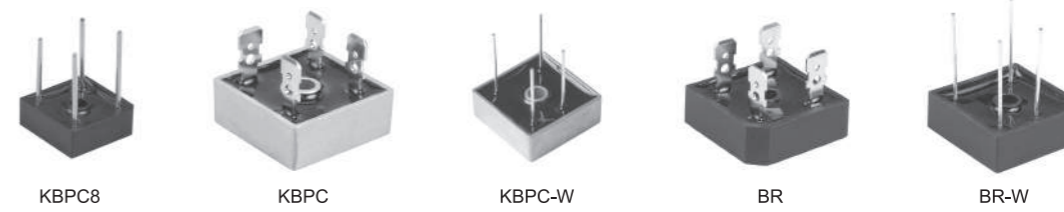
整流桥 BRIDGE RECTIFIER

Table listing various diode bridge rectifier models (e.g., D10JB60, D6JA60, D15JA60, etc.) with columns for Max.Reverse Voltage, Max.Aver. Rect.Current, Peak Fwd. Surge Current, Max.Fwd. Voltage @25°C&Rated Io, Maximum Reverse Current@Rated VRM&Tc, Typical Thermal Resistance, Operating Temp.Range, and Package.



整流桥 BRIDGE RECTIFIER

Table listing various diode bridge rectifier models (e.g., KBPC1008, KBPC1506, KBPC2506, etc.) with columns for Max.Reverse Voltage, Max.Aver. Rect.Current, Peak Fwd. Surge Current, Max.Fwd. Voltage @25°C&Rated Io, Maximum Reverse Current@Rated VRM&Tc, Typical Thermal Resistance, Operating Temp.Range, and Package.



整流桥

BRIDGE RECTIFIER

型号 TYPE NO.	最大反向峰值电压 Max.Reverse Voltage	最大正向电流 Max.Aver. Rect.Current	最大正向浪涌电流 Peak Fwd. Surge Current	最大正向压降 Max.Fwd. Voltage @25°C & Rated Io		最大反向漏电流 Maximum Reverse Current@Rated VRM&Tc		典型热阻 Typical Thermal Resistance	工作结温 Operating Temp.Range	封装 Package
	V _{RM} (V)	I _O (A)	I _{FSM} (A)	Rated I _O (A)	V _F (V)	IR@25°C IR (uA)	IR@100°C IR (uA)	RθJA/RθJC(°C/W)	T _J (°C)	
MT3508A	800	35.0	400	17.5	1.2	10	500	1.3	-55~+150	MT
MT3510A	1000	35.0	400	17.5	1.2	10	500	1.3	-55~+150	MT
MT3512A	1200	35.0	400	17.5	1.2	10	500	1.3	-55~+150	MT
MT3514A	1400	35.0	400	17.5	1.2	10	500	1.3	-55~+150	MT
MT3516A	1600	35.0	400	17.5	1.2	10	500	1.3	-55~+150	MT
MT5006A	600	50.0	500	25	1.2	10	500	0.88	-55~+150	MT
MT5008A	800	50.0	500	25	1.2	10	500	0.88	-55~+150	MT
MT5010A	1000	50.0	500	25	1.2	10	500	0.88	-55~+150	MT
MT5012A	1200	50.0	500	25	1.2	10	500	0.88	-55~+150	MT
MT5014A	1400	50.0	500	25	1.2	10	500	0.88	-55~+150	MT
MT5016A	1600	50.0	500	25	1.2	10	500	0.88	-55~+150	MT



MT

整流二极管

GENERAL PURPOSE RECTIFIER

型号 TYPE NO.	最大反向峰值电压 Max.Reverse Voltage	最大正向电流 Max.Aver. Rect.Current	最大正向浪涌电流 Peak Fwd. Surge Current	最大正向压降 Max.Fwd. Voltage @25°C & Rated Io		最大反向漏电流 Maximum Reverse Current@Rated VRM&Tc		典型热阻 Typical Thermal Resistance	结电容 Typical Junction Capacit.	工作结温 Operating Temp.Range	封装 Package
	V _{RM} (V)	I _O (A)	I _{FSM} (A)	Rated I _O (A)	V _F (V)	IR@25°C IR (uA)	IR@100°C IR (uA)	RθJA/RθJC(°C/W)	C _J (PF)	T _J (°C)	
1N4001G	50	1.0	30	1.0	1.1	2.5	50	60	8	-55~+150	DO-41
1N4002G	100	1.0	30	1.0	1.1	2.5	50	60	8	-55~+150	DO-41
1N4003G	200	1.0	30	1.0	1.1	2.5	50	60	8	-55~+150	DO-41
1N4004G	400	1.0	30	1.0	1.1	2.5	50	60	8	-55~+150	DO-41
1N4005G	600	1.0	30	1.0	1.1	2.5	50	60	8	-55~+150	DO-41
1N4006G	800	1.0	30	1.0	1.1	2.5	50	60	8	-55~+150	DO-41
1N4007G	1000	1.0	30	1.0	1.1	2.5	50	60	8	-55~+150	DO-41
1N5391GS	50	1.5	50	1.5	1.1	2.5	50	55	15	-55~+150	DO-41
1N5392GS	100	1.5	50	1.5	1.1	2.5	50	55	15	-55~+150	DO-41
1N5393GS	200	1.5	50	1.5	1.1	2.5	50	55	15	-55~+150	DO-41
1N5395GS	400	1.5	50	1.5	1.1	2.5	50	55	15	-55~+150	DO-41
1N5397GS	600	1.5	50	1.5	1.1	2.5	50	55	15	-55~+150	DO-41
1N5398GS	800	1.5	50	1.5	1.1	2.5	50	55	15	-55~+150	DO-41
1N5399GS	1000	1.5	50	1.5	1.1	2.5	50	55	15	-55~+150	DO-41
1N5391G	50	1.5	50	1.5	1.1	2.5	50	50	15	-55~+150	DO-15
1N5392G	100	1.5	50	1.5	1.1	2.5	50	50	15	-55~+150	DO-15
1N5393G	200	1.5	50	1.5	1.1	2.5	50	50	15	-55~+150	DO-15
1N5395G	400	1.5	50	1.5	1.1	2.5	50	50	15	-55~+150	DO-15
1N5397G	600	1.5	50	1.5	1.1	2.5	50	50	15	-55~+150	DO-15
1N5398G	800	1.5	50	1.5	1.1	2.5	50	50	15	-55~+150	DO-15
1N5399G	1000	1.5	50	1.5	1.1	2.5	50	50	15	-55~+150	DO-15
RL201G	50	2.0	70	2.0	1.1	2.5	50	50	15	-55~+150	DO-15
RL202G	100	2.0	70	2.0	1.1	2.5	50	50	15	-55~+150	DO-15
RL203G	200	2.0	70	2.0	1.1	2.5	50	50	15	-55~+150	DO-15
RL204G	400	2.0	70	2.0	1.1	2.5	50	50	15	-55~+150	DO-15
RL205G	600	2.0	70	2.0	1.1	2.5	50	50	15	-55~+150	DO-15
RL206G	800	2.0	70	2.0	1.1	2.5	50	50	15	-55~+150	DO-15
RL207G	1000	2.0	70	2.0	1.1	2.5	50	50	15	-55~+150	DO-15
RL251G	50	2.5	120	2.5	1.1	2.5	50	45	25	-55~+150	DO-15
RL252G	100	2.5	120	2.5	1.1	2.5	50	45	25	-55~+150	DO-15
RL253G	200	2.5	120	2.5	1.1	2.5	50	45	25	-55~+150	DO-15
RL254G	400	2.5	120	2.5	1.1	2.5	50	45	25	-55~+150	DO-15
RL255G	600	2.5	120	2.5	1.1	2.5	50	45	25	-55~+150	DO-15
RL256G	800	2.5	120	2.5	1.1	2.5	50	45	25	-55~+150	DO-15
RL257G	1000	2.5	120	2.5	1.1	2.5	50	45	25	-55~+150	DO-15
1N5400G	50	3.0	200	3.0	1.1	2.5	50	30	40	-55~+150	DO-201AD
1N5401G	100	3.0	200	3.0	1.1	2.5	50	30	40	-55~+150	DO-201AD
1N5402G	200	3.0	200	3.0	1.1	2.5	50	30	40	-55~+150	DO-201AD
1N5404G	400	3.0	200	3.0	1.1	2.5	50	30	40	-55~+150	DO-201AD
1N5406G	600	3.0	200	3.0	1.1	2.5	50	30	40	-55~+150	DO-201AD
1N5407G	800	3.0	200	3.0	1.1	2.5	50	30	40	-55~+150	DO-201AD
1N5408G	1000	3.0	200	3.0	1.1	2.5	50	30	40	-55~+150	DO-201AD
BY251G	200	3.0	200	3.0	1.1	2.5	50	30	40	-55~+150	DO-201AD



DO-41



DO-15



DO-201AD

整流二极管 GENERAL PURPOSE RECTIFIER

型号 TYPE NO.	最大反向峰值电压	最大正向电流	最大正向浪涌电流	最大正向压降		最大反向漏电流		典型热阻	结电容	工作结温	封装 Package
	Max.Reverse Voltage	Max.Aver. Rect.Current	Peak Fwd. Surge Current	Max.Fwd. Voltage @25°C & Rated Io	VF(V)	Maximum Reverse Current@Rated VRM&Tc	@25°C IR (uA)	@100°C IR (uA)	RθJA(°C/W)	Cj(PF)	
BY252G	400	3.0	200	3.0	1.1	2.5	50	30	40	-55~+150	DO-201AD
BY253G	600	3.0	200	3.0	1.1	2.5	50	30	40	-55~+150	DO-201AD
BY254G	800	3.0	200	3.0	1.1	2.5	50	30	40	-55~+150	DO-201AD
BY255G	1300	3.0	200	3.0	1.1	2.5	50	30	40	-55~+150	DO-201AD
P6A05G	50	6.0	200	6.0	1.1	2.5	50	12	50	-55~+150	R-6
P6A1G	100	6.0	200	6.0	1.1	2.5	50	12	50	-55~+150	R-6
P6A2G	200	6.0	200	6.0	1.1	2.5	50	12	50	-55~+150	R-6
P6A4G	400	6.0	200	6.0	1.1	2.5	50	12	50	-55~+150	R-6
P6A6G	600	6.0	200	6.0	1.1	2.5	50	12	50	-55~+150	R-6
P6A8G	800	6.0	200	6.0	1.1	2.5	50	12	50	-55~+150	R-6
P6A10G	1000	6.0	200	6.0	1.1	2.5	50	12	50	-55~+150	R-6
10A05G	50	10.0	300	10	1.1	2.5	50	10	60	-55~+150	R-6
10A1G	100	10.0	300	10.0	1.1	2.5	50	10	60	-55~+150	R-6
10A2G	200	10.0	300	10.0	1.1	2.5	50	10	60	-55~+150	R-6
10A4G	400	10.0	300	10.0	1.1	2.5	50	10	60	-55~+150	R-6
10A6G	600	10.0	300	10.0	1.1	2.5	50	10	60	-55~+150	R-6
10A8G	800	10.0	300	10.0	1.1	2.5	50	10	60	-55~+150	R-6
10A10G	1000	10.0	300	10.0	1.1	2.5	50	10	60	-55~+150	R-6



DO-201AD



R-6

整流二极管 GENERAL PURPOSE RECTIFIER

型号 TYPE NO.	最大反向峰值电压	最大正向电流	最大正向浪涌电流	最大正向压降		最大反向漏电流		典型热阻	结电容	工作结温	封装 Package
	Max.Reverse Voltage	Max.Aver. Rect.Current	Peak Fwd. Surge Current	Max.Fwd. Voltage @25°C & Rated Io	VF(V)	Maximum Reverse Current@Rated VRM&Tc	@25°C IR (uA)	@125°C IR (uA)	RθJA(°C/W)	Cj(PF)	
G1AS	50	1.0	25	1.0	1.1	5	100	70	7	-55~+150	SOD-123FL
G1BS	100	1.0	25	1.0	1.1	5	100	70	7	-55~+150	SOD-123FL
G1DS	200	1.0	25	1.0	1.1	5	100	70	7	-55~+150	SOD-123FL
G1GS	400	1.0	25	1.0	1.1	5	100	70	7	-55~+150	SOD-123FL
G1JS	600	1.0	25	1.0	1.1	5	100	70	7	-55~+150	SOD-123FL
G1KS	800	1.0	25	1.0	1.1	5	100	70	7	-55~+150	SOD-123FL
G1MS	1000	1.0	25	1.0	1.1	5	100	70	7	-55~+150	SOD-123FL
G1A	50	1.0	30	1.0	1.1	5	100	70	8	-55~+150	SOD-123FL
G1B	100	1.0	30	1.0	1.1	5	100	70	8	-55~+150	SOD-123FL
G1D	200	1.0	30	1.0	1.1	5	100	70	8	-55~+150	SOD-123FL
G1G	400	1.0	30	1.0	1.1	5	100	70	8	-55~+150	SOD-123FL
G1J	600	1.0	30	1.0	1.1	5	100	70	8	-55~+150	SOD-123FL
G1K	800	1.0	30	1.0	1.1	5	100	70	8	-55~+150	SOD-123FL
G1M	1000	1.0	30	1.0	1.1	5	100	70	8	-55~+150	SOD-123FL
G15A	50	1.5	45	1.5	1.1	5	100	70	12	-55~+150	SOD-123FL
G15B	100	1.5	45	1.5	1.1	5	100	70	12	-55~+150	SOD-123FL
G15D	200	1.5	45	1.5	1.1	5	100	70	12	-55~+150	SOD-123FL
G15G	400	1.5	45	1.5	1.1	5	100	70	12	-55~+150	SOD-123FL
G15J	600	1.5	45	1.5	1.1	5	100	70	12	-55~+150	SOD-123FL
G15K	800	1.5	45	1.5	1.1	5	100	70	12	-55~+150	SOD-123FL
G15M	1000	1.5	45	1.5	1.1	5	100	70	12	-55~+150	SOD-123FL
M1F	50	1.0	30	1	1.10	5	100	65	7	-55~+150	SMAF
M2F	100	1.0	30	1	1.10	5	100	65	7	-55~+150	SMAF
M3F	200	1.0	30	1	1.10	5	100	65	7	-55~+150	SMAF
M4F	400	1.0	30	1	1.10	5	100	65	7	-55~+150	SMAF
M5F	600	1.0	30	1	1.10	5	100	65	7	-55~+150	SMAF
M6F	800	1.0	30	1	1.10	5	100	65	7	-55~+150	SMAF
M7F	1000	1.0	30	1	1.10	5	100	65	7	-55~+150	SMAF
G1AFS	50	1.0	30	1.0	1.1	5	100	65	8	-55~+150	SMAF
G1BFS	100	1.0	30	1.0	1.1	5	100	65	8	-55~+150	SMAF
G1DFS	200	1.0	30	1.0	1.1	5	100	65	8	-55~+150	SMAF
G1GFS	400	1.0	30	1.0	1.1	5	100	65	8	-55~+150	SMAF
G1JFS	600	1.0	30	1.0	1.1	5	100	65	8	-55~+150	SMAF
G1KFS	800	1.0	30	1.0	1.1	5	100	65	8	-55~+150	SMAF
G1MFS	1000	1.0	30	1.0	1.1	5	100	65	8	-55~+150	SMAF
G1AF	50	1.0	30	1.0	1.1	5	100	65	9	-55~+150	SMAF
G1BF	100	1.0	30	1.0	1.1	5	100	65	9	-55~+150	SMAF
G1DF	200	1.0	30	1.0	1.1	5	100	65	9	-55~+150	SMAF
G1GF	400	1.0	30	1.0	1.1	5	100	65	9	-55~+150	SMAF
G1JF	600	1.0	30	1.0	1.1	5	100	65	9	-55~+150	SMAF
G1KF	800	1.0	30	1.0	1.1	5	100	65	9	-55~+150	SMAF
G1MF	1000	1.0	30	1.0	1.1	5	100	65	9	-55~+150	SMAF
G2AF	50	2.0	50	2.0	1.1	5	100	65	15	-55~+150	SMAF



SOD-123FL



SMAF

整流二极管 GENERAL PURPOSE RECTIFIER

型号 TYPE NO.	最大反向峰值电压	最大正向电流	最大正向浪涌电流	最大正向压降		最大反向漏电流		典型热阻	结电容	工作结温	封装 Package
	Max.Reverse Voltage	Max.Aver. Rect.Current	Peak Fwd. Surge Current	Max.Fwd. Voltage @25°C & Rated I _o	V _F (V)	Maximum Reverse Current@Rated VRM&T _c	@25°C IR (μA)	@125°C IR (μA)	R _{θJA} (°C/W)	Typical Junction Capacit.	
	V _{RM} (V)	I _o (A)	I _{FSM} (A)	Rated I _o (A)					C _j (PF)	T _j (°C)	
G2BF	100	2.0	50	2.0	1.1	5	100	65	15	-55~+150	SMAF
G2DF	200	2.0	50	2.0	1.1	5	100	65	15	-55~+150	SMAF
G2GF	400	2.0	50	2.0	1.1	5	100	65	15	-55~+150	SMAF
G2JF	600	2.0	50	2.0	1.1	5	100	65	15	-55~+150	SMAF
G2KF	800	2.0	50	2.0	1.1	5	100	65	15	-55~+150	SMAF
G2MF	1000	2.0	50	2.0	1.1	5	100	65	15	-55~+150	SMAF
G3AF	50	3.0	80	3	1.10	5	100	65	20	-55~+150	SMAF
G3BF	100	3.0	80	3	1.10	5	100	65	20	-55~+150	SMAF
G3DF	200	3.0	80	3	1.10	5	100	65	20	-55~+150	SMAF
G3GF	400	3.0	80	3	1.10	5	100	65	20	-55~+150	SMAF
G3JF	600	3.0	80	3	1.10	5	100	65	20	-55~+150	SMAF
G3KF	800	3.0	80	3	1.10	5	100	65	20	-55~+150	SMAF
G3MF	1000	3.0	80	3	1.10	5	100	65	20	-55~+150	SMAF
M1	50	1.0	30	1	1.1	5	100	55	7	-55~+150	SMA
M2	100	1.0	30	1	1.1	5	100	55	7	-55~+150	SMA
M3	200	1.0	30	1	1.1	5	100	55	7	-55~+150	SMA
M4	400	1.0	30	1	1.1	5	100	55	7	-55~+150	SMA
M5	600	1.0	30	1	1.1	5	100	55	7	-55~+150	SMA
M6	800	1.0	30	1	1.1	5	100	55	7	-55~+150	SMA
M7	1000	1.0	30	1	1.1	5	100	55	7	-55~+150	SMA
GS1A	50	1.0	30	1.0	1.1	5	100	70	9	-55~+150	SMA
GS1B	100	1.0	30	1.0	1.1	5	100	70	9	-55~+150	SMA
GS1D	200	1.0	30	1.0	1.1	5	100	70	9	-55~+150	SMA
GS1G	400	1.0	30	1.0	1.1	5	100	70	9	-55~+150	SMA
GS1J	600	1.0	30	1.0	1.1	5	100	70	9	-55~+150	SMA
GS1K	800	1.0	30	1.0	1.1	5	100	70	9	-55~+150	SMA
GS1M	1000	1.0	30	1.0	1.1	5	100	70	9	-55~+150	SMA
GS1AB	50	1.0	30	1.0	1.15	5	100	75	9	-55~+150	SMB
GS1BB	100	1.0	30	1.0	1.15	5	100	75	9	-55~+150	SMB
GS1DB	200	1.0	30	1.0	1.15	5	100	75	9	-55~+150	SMB
GS1GB	400	1.0	30	1.0	1.15	5	100	75	9	-55~+150	SMB
GS1JB	600	1.0	30	1.0	1.15	5	100	75	9	-55~+150	SMB
GS1KB	800	1.0	30	1.0	1.15	5	100	75	9	-55~+150	SMB
GS1MB	1000	1.0	30	1.0	1.15	5	100	75	9	-55~+150	SMB
GS2AA	50	2	50	2.0	1.15	5.0	100	65	12	-55~+150	SMA
GS2BA	100	2	50	2.0	1.15	5.0	100	65	12	-55~+150	SMA
GS2DA	200	2	50	2.0	1.15	5.0	100	65	12	-55~+150	SMA
GS2GA	400	2	50	2.0	1.15	5.0	100	65	12	-55~+150	SMA
GS2JA	600	2	50	2.0	1.15	5.0	100	65	12	-55~+150	SMA
GS2KA	800	2	50	2.0	1.15	5.0	100	65	12	-55~+150	SMA
GS2MA	1000	2	50	2.0	1.15	5.0	100	65	12	-55~+150	SMA
GS2A	50	2.0	50	2	1.15	5.0	100	60	12	-55~+150	SMB
GS2B	100	2.0	50	2	1.15	5.0	100	60	12	-55~+150	SMB



整流二极管 GENERAL PURPOSE RECTIFIER

型号 TYPE NO.	最大反向峰值电压	最大正向电流	最大正向浪涌电流	最大正向压降		最大反向漏电流		典型热阻	结电容	工作结温	封装 Package
	Max.Reverse Voltage	Max.Aver. Rect.Current	Peak Fwd. Surge Current	Max.Fwd. Voltage @25°C & Rated I _o	V _F (V)	Maximum Reverse Current@Rated VRM&T _c	@25°C IR (μA)	@125°C IR (μA)	R _{θJA} (°C/W)	Typical Junction Capacit.	
	V _{RM} (V)	I _o (A)	I _{FSM} (A)	Rated I _o (A)					C _j (PF)	T _j (°C)	
GS2D	200	2.0	50	2	1.15	5.0	100	60	12	-55~+150	SMB
GS2G	400	2.0	50	2	1.15	5.0	100	60	12	-55~+150	SMB
GS2J	600	2.0	50	2	1.15	5.0	100	60	12	-55~+150	SMB
GS2K	800	2.0	50	2	1.15	5.0	100	60	12	-55~+150	SMB
GS2M	1000	2.0	50	2	1.15	5.0	100	60	12	-55~+150	SMB
GS3AB	50	3.0	100	3	1.15	5	100	75	25	-55~+150	SMB
GS3BB	100	3.0	100	3	1.15	5	100	75	25	-55~+150	SMB
GS3DB	200	3.0	100	3	1.15	5	100	75	25	-55~+150	SMB
GS3GB	400	3.0	100	3	1.15	5	100	75	25	-55~+150	SMB
GS3JB	600	3.0	100	3	1.15	5	100	75	25	-55~+150	SMB
GS3KB	800	3.0	100	3	1.15	5	100	75	25	-55~+150	SMB
GS3MB	1000	3.0	100	3	1.15	5	100	75	25	-55~+150	SMB
GS3A	50	3.0	100	3.0	1.1	5	50	48	25	-55~+150	SMC
GS3B	100	3.0	100	3.0	1.1	5	50	48	25	-55~+150	SMC
GS3D	200	3.0	100	3.0	1.1	5	50	48	25	-55~+150	SMC
GS3G	400	3.0	100	3.0	1.1	5	50	48	25	-55~+150	SMC
GS3J	600	3.0	100	3.0	1.1	5	50	48	25	-55~+150	SMC
GS3K	800	3.0	100	3.0	1.1	5	50	48	25	-55~+150	SMC
GS3M	1000	3.0	100	3.0	1.1	5	50	48	25	-55~+150	SMC
GS5A	50	5.0	120	5.0	1.1	5	50	47	35	-55~+150	SMC
GS5B	100	5.0	120	5.0	1.1	5	50	47	35	-55~+150	SMC
GS5D	200	5.0	120	5.0	1.1	5	50	47	35	-55~+150	SMC
GS5G	400	5.0	120	5.0	1.1	5	50	47	35	-55~+150	SMC
GS5J	600	5.0	120	5.0	1.1	5	50	47	35	-55~+150	SMC
GS5K	800	5.0	120	5.0	1.1	5	50	47	35	-55~+150	SMC
GS5M	1000	5.0	120	5.0	1.1	5	50	47	35	-55~+150	SMC
GS8A	50	8.0	200	8.0	1.1	5	50	45	60	-55~+150	SMC
GS8B	100	8.0	200	8.0	1.1	5	50	45	60	-55~+150	SMC
GS8D	200	8.0	200	8.0	1.1	5	50	45	60	-55~+150	SMC
GS8G	400	8.0	200	8.0	1.1	5	50	45	60	-55~+150	SMC
GS8J	600	8.0	200	8.0	1.1	5	50	45	60	-55~+150	SMC
GS8K	800	8.0	200	8.0	1.1	5	50	45	60	-55~+150	SMC
GS8M	1000	8.0	200	8.0	1.1	5	50	45	60	-55~+150	SMC

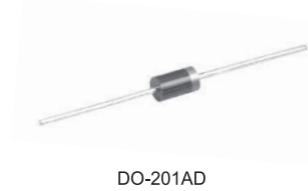
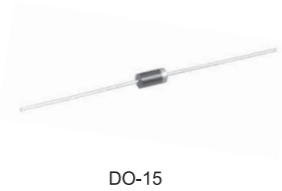
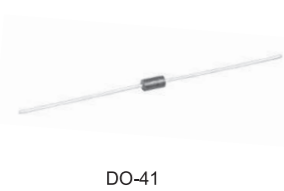
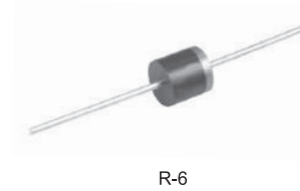
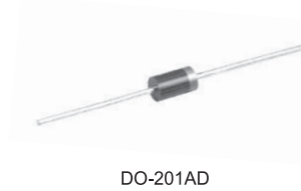


快恢复二极管 FAST RECOVERY RECTIFIER

型号 TYPE NO.	最大反向峰值电压	最大正向电流	最大正向浪涌电流	最大正向压降		最大反向漏电流		最大反向恢复时间	典型热阻	结电容	工作结温	封装 Package
	Max.Reverse Voltage	Max.Aver. Rect.Current	Peak Fwd. Surge Current	Max.Fwd. Voltage @25°C & Rated I _o	VF(V)	Maximum Reverse Current@Rated VRM&T _c	@25°C IR (μA)	@100°C IR (μA)	Maximum Recovery Time	Typical Thermal Resistance	Typical Junction Capacit.	
	V _{RM} (V)	I _o (A)	I _{FSM} (A)	Rated I _o (A)				T _{rr} (ns)	R _{θJA} (°C/W)	C _j (PF)	T _j (°C)	
FR101G	50	1.0	30	1.0	1.3	2.5	100	150	60	10	-55~+150	DO-41
FR102G	100	1.0	30	1.0	1.3	2.5	100	150	60	10	-55~+150	DO-41
FR103G	200	1.0	30	1.0	1.3	2.5	100	150	60	10	-55~+150	DO-41
FR104G	400	1.0	30	1.0	1.3	2.5	100	150	60	10	-55~+150	DO-41
FR105G	600	1.0	30	1.0	1.3	2.5	100	250	60	10	-55~+150	DO-41
FR106G	800	1.0	30	1.0	1.3	2.5	100	500	60	10	-55~+150	DO-41
FR107G	1000	1.0	30	1.0	1.3	2.5	100	500	60	10	-55~+150	DO-41
1N4933G	50	1.0	30	1.0	1.2	2.5	100	150	60	10	-55~+150	DO-41
1N4934G	100	1.0	30	1.0	1.2	2.5	100	150	60	10	-55~+150	DO-41
1N4935G	200	1.0	30	1.0	1.2	2.5	100	150	60	10	-55~+150	DO-41
1N4936G	400	1.0	30	1.0	1.2	2.5	100	150	60	10	-55~+150	DO-41
1N4937G	600	1.0	30	1.0	1.2	2.5	100	150	60	10	-55~+150	DO-41
FR151G	50	1.5	50	1.5	1.3	2.5	100	150	50	20	-55~+150	DO-15
FR152G	100	1.5	50	1.5	1.3	2.5	100	150	50	20	-55~+150	DO-15
FR153G	200	1.5	50	1.5	1.3	2.5	100	150	50	20	-55~+150	DO-15
FR154G	400	1.5	50	1.5	1.3	2.5	100	150	50	20	-55~+150	DO-15
FR155G	600	1.5	50	1.5	1.3	2.5	100	250	50	20	-55~+150	DO-15
FR156G	800	1.5	50	1.5	1.3	2.5	100	500	50	20	-55~+150	DO-15
FR157G	1000	1.5	50	1.5	1.3	2.5	100	500	50	20	-55~+150	DO-15
FR201G	50	2.0	60	2.0	1.3	2.5	100	150	50	20	-55~+150	DO-15
FR202G	100	2.0	60	2.0	1.3	2.5	100	150	50	20	-55~+150	DO-15
FR203G	200	2.0	60	2.0	1.3	2.5	100	150	50	20	-55~+150	DO-15
FR204G	400	2.0	60	2.0	1.3	2.5	100	150	50	20	-55~+150	DO-15
FR205G	600	2.0	60	2.0	1.3	2.5	100	250	50	20	-55~+150	DO-15
FR206G	800	2.0	60	2.0	1.3	2.5	100	500	50	20	-55~+150	DO-15
FR207G	1000	2.0	60	2.0	1.3	2.5	100	500	50	20	-55~+150	DO-15
FR301G	50	3.0	125	3.0	1.3	2.5	100	150	30	35	-55~+150	DO-201AD
FR302G	100	3.0	125	3.0	1.3	2.5	100	150	30	35	-55~+150	DO-201AD
FR303G	200	3.0	125	3.0	1.3	2.5	100	150	30	35	-55~+150	DO-201AD
FR304G	400	3.0	125	3.0	1.3	2.5	100	150	30	35	-55~+150	DO-201AD
FR305G	600	3.0	125	3.0	1.3	2.5	100	250	30	35	-55~+150	DO-201AD
FR306G	800	3.0	125	3.0	1.3	2.5	100	500	30	35	-55~+150	DO-201AD
FR307G	1000	3.0	125	3.0	1.3	2.5	100	500	30	35	-55~+150	DO-201AD

快恢复二极管 FAST RECOVERY RECTIFIER

型号 TYPE NO.	最大反向峰值电压	最大正向电流	最大正向浪涌电流	最大正向压降		最大反向漏电流		最大反向恢复时间	典型热阻	结电容	工作结温	封装 Package
	Max.Reverse Voltage	Max.Aver. Rect.Current	Peak Fwd. Surge Current	Max.Fwd. Voltage @25°C & Rated I _o	VF(V)	Maximum Reverse Current@Rated VRM&T _c	@25°C IR (μA)	@100°C IR (μA)	Maximum Recovery Time	Typical Thermal Resistance	Typical Junction Capacit.	
	V _{RM} (V)	I _o (A)	I _{FSM} (A)	Rated I _o (A)				T _{rr} (ns)	R _{θJA} (°C/W)	C _j (PF)	T _j (°C)	
FR501G	50	5.0	200	5.0	1.3	2.5	100	150	18	50	-55~+150	DO-201AD
FR502G	100	5.0	200	5.0	1.3	2.5	100	150	18	50	-55~+150	DO-201AD
FR503G	200	5.0	200	5.0	1.3	2.5	100	150	18	50	-55~+150	DO-201AD
FR504G	400	5.0	200	5.0	1.3	2.5	100	150	18	50	-55~+150	DO-201AD
FR505G	600	5.0	200	5.0	1.3	2.5	100	250	18	50	-55~+150	DO-201AD
FR506G	800	5.0	200	5.0	1.3	2.5	100	500	18	50	-55~+150	DO-201AD
FR507G	1000	5.0	200	5.0	1.3	2.5	100	500	18	50	-55~+150	DO-201AD
FR601G	50	6.0	200	6.0	1.3	2.5	100	150	15	50	-55~+150	R-6
FR602G	100	6.0	200	6.0	1.3	2.5	100	150	15	50	-55~+150	R-6
FR603G	200	6.0	200	6.0	1.3	2.5	100	150	15	50	-55~+150	R-6
FR604G	400	6.0	200	6.0	1.3	2.5	100	150	15	50	-55~+150	R-6
FR605G	600	6.0	200	6.0	1.3	2.5	100	250	15	50	-55~+150	R-6
FR606G	800	6.0	200	6.0	1.3	2.5	100	500	15	50	-55~+150	R-6
FR607G	1000	6.0	200	6.0	1.3	2.5	100	500	15	50	-55~+150	R-6



超高效整流二极管 HIGH EFFICIENT RECTIFIER

型号 TYPE NO.	最大反向峰值电压	最大正向电流	最大正向浪涌电流	最大正向压降		最大反向漏电流		最大反向恢复时间	典型热阻	结电容	工作结温	封装 Package
	Max.Reverse Voltage	Max.Aver. Rect.Current	Peak Fwd. Surge Current	Max.Fwd. Voltage @25°C&Rated Io	Rated Io(A) VF(V)	Maximum Reverse Current(@Rated VRM&Tc @25°C IR (uA) @100°C IR (uA)	Maximum Recovery Time	Typical Thermal Resistance	Typical Junction Capacit.	Operating Temp.Range		
	V _{RM} (V)	I _O (A)	I _{FSM} (A)				T _{rr} (ns)	R _{θJA} (°C/W)	C _J (PF)	T _J (°C)		
HER101G	50	1.0	30	1.0	1.0	2.5	150	50	60	20	-55~+150	DO-41
HER102G	100	1.0	30	1.0	1.0	2.5	150	50	60	20	-55~+150	DO-41
HER103G	200	1.0	30	1.0	1.0	2.5	150	50	60	20	-55~+150	DO-41
HER104G	300	1.0	30	1.0	1.3	2.5	150	50	60	20	-55~+150	DO-41
HER105G	400	1.0	30	1.0	1.3	2.5	150	50	60	20	-55~+150	DO-41
HER106G	600	1.0	30	1.0	1.7	2.5	150	75	60	10	-55~+150	DO-41
HER107G	800	1.0	30	1.0	1.7	2.5	150	75	60	10	-55~+150	DO-41
HER108G	1000	1.0	30	1.0	1.7	2.5	150	75	60	10	-55~+150	DO-41
HER151G	50	1.5	60	1.5	1.0	2.5	150	50	40	25	-55~+150	DO-15
HER152G	100	1.5	60	1.5	1.0	2.5	150	50	40	25	-55~+150	DO-15
HER153G	200	1.5	60	1.5	1.0	2.5	150	50	40	25	-55~+150	DO-15
HER154G	300	1.5	60	1.5	1.3	2.5	150	50	40	25	-55~+150	DO-15
HER155G	400	1.5	60	1.5	1.3	2.5	150	50	40	25	-55~+150	DO-15
HER156G	600	1.5	60	1.5	1.7	2.5	150	75	40	15	-55~+150	DO-15
HER157G	800	1.5	60	1.5	1.7	2.5	150	75	40	15	-55~+150	DO-15
HER158G	1000	1.5	60	1.5	1.7	2.5	150	75	40	15	-55~+150	DO-15
HER201G	50	2.0	60	2.0	1.0	2.5	150	50	40	25	-55~+150	DO-15
HER202G	100	2.0	60	2.0	1.0	2.5	150	50	40	25	-55~+150	DO-15
HER203G	200	2.0	60	2.0	1.0	2.5	150	50	40	25	-55~+150	DO-15
HER204G	300	2.0	60	2.0	1.3	2.5	150	50	40	25	-55~+150	DO-15
HER205G	400	2.0	60	2.0	1.3	2.5	150	50	40	25	-55~+150	DO-15
HER206G	600	2.0	60	2.0	1.7	2.5	150	75	40	15	-55~+150	DO-15
HER207G	800	2.0	60	2.0	1.7	2.5	150	75	40	15	-55~+150	DO-15
HER208G	1000	2.0	60	2.0	1.7	2.5	150	75	40	15	-55~+150	DO-15
HER301G	50	3.0	125	3.0	1.0	2.5	150	50	30	70	-55~+150	DO-201AD
HER302G	100	3.0	125	3.0	1.0	2.5	150	50	30	70	-55~+150	DO-201AD
HER303G	200	3.0	125	3.0	1.0	2.5	150	50	30	70	-55~+150	DO-201AD
HER304G	300	3.0	125	3.0	1.3	2.5	150	50	30	70	-55~+150	DO-201AD
HER305G	400	3.0	125	3.0	1.3	2.5	150	50	30	70	-55~+150	DO-201AD
HER306G	600	3.0	125	3.0	1.7	2.5	150	75	30	40	-55~+150	DO-201AD
HER307G	800	3.0	125	3.0	1.7	2.5	150	75	30	40	-55~+150	DO-201AD
HER308G	1000	3.0	125	3.0	1.7	2.5	150	75	30	40	-55~+150	DO-201AD
HER501G	50	5.0	150	5.0	1.0	2.5	150	50	20	85	-55~+150	DO-201AD
HER502G	100	5.0	150	5.0	1.0	2.5	150	50	20	85	-55~+150	DO-201AD
HER503G	200	5.0	150	5.0	1.0	2.5	150	50	20	85	-55~+150	DO-201AD
HER504G	300	5.0	150	5.0	1.3	2.5	150	50	20	85	-55~+150	DO-201AD
HER505G	400	5.0	150	5.0	1.3	2.5	150	50	20	85	-55~+150	DO-201AD
HER506G	600	5.0	150	5.0	1.7	2.5	150	75	20	60	-55~+150	DO-201AD
HER507G	800	5.0	150	5.0	1.7	2.5	150	75	20	60	-55~+150	DO-201AD
HER508G	1000	5.0	150	5.0	1.7	2.5	150	75	20	60	-55~+150	DO-201AD
HER601G	50	6.0	200	6.0	1.0	2.5	150	50	15	100	-55~+150	R-6
HER602G	100	6.0	200	6.0	1.0	2.5	150	50	15	100	-55~+150	R-6
HER603G	200	6.0	200	6.0	1.0	2.5	150	50	15	100	-55~+150	R-6

超高效整流二极管 HIGH EFFICIENT RECTIFIER

型号 TYPE NO.	最大反向峰值电压	最大正向电流	最大正向浪涌电流	最大正向压降		最大反向漏电流		最大反向恢复时间	典型热阻	结电容	工作结温	封装 Package
	Max.Reverse Voltage	Max.Aver. Rect.Current	Peak Fwd. Surge Current	Max.Fwd. Voltage @25°C&Rated Io	Rated Io(A) VF(V)	Maximum Reverse Current(@Rated VRM&Tc @25°C IR (uA) @100°C IR (uA)	Maximum Recovery Time	Typical Thermal Resistance	Typical Junction Capacit.	Operating Temp.Range		
	V _{RM} (V)	I _O (A)	I _{FSM} (A)				T _{rr} (ns)	R _{θJA} (°C/W)	C _J (PF)	T _J (°C)		
HER604G	300	6.0	200	6.0	1.3	2.5	150	50	15	100	-55~+150	R-6
HER605G	400	6.0	200	6.0	1.3	2.5	150	50	15	100	-55~+150	R-6
HER606G	600	6.0	200	6.0	1.7	2.5	150	75	15	65	-55~+150	R-6
HER607G	800	6.0	200	6.0	1.7	2.5	150	75	15	65	-55~+150	R-6
HER608G	1000	6.0	200	6.0	1.7	2.5	150	75	15	65	-55~+150	R-6



R-6

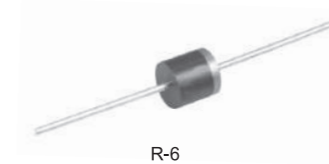


超快恢复二极管 SUPER FAST RECTIFIER

型号 TYPE NO.	最大反向峰值电压	最大正向电流	最大正向浪涌电流	最大正向压降		最大反向漏电流		最大反向恢复时间	典型热阻	结电容	工作结温	封装 Package
	Max.Reverse Voltage V _{RM} (V)	Max.Aver. Rect.Current I _O (A)	Peak Fwd. Surge Current I _{FSM} (A)	Max.Fwd. Voltage @25°C & Rated I _O	VF(V)	Maximum Reverse Current@Rated VRM&Tc	@25°C IR (μA)	@100°C IR (μA)	T _{rr} (ns)	RθJA(°C/W)	Typical Junction Capacit. Cj(PF)	
SF11G	50	1.0	30	1.0	0.95	5.0	150	35	60	20	-55~+150	DO-41
SF12G	100	1.0	30	1.0	0.95	5.0	150	35	60	20	-55~+150	DO-41
SF13G	150	1.0	30	1.0	0.95	5.0	150	35	60	20	-55~+150	DO-41
SF14G	200	1.0	30	1.0	0.95	5.0	150	35	60	20	-55~+150	DO-41
SF15G	300	1.0	30	1.0	1.3	5.0	150	35	60	10	-55~+150	DO-41
SF16G	400	1.0	30	1.0	1.3	5.0	150	35	60	10	-55~+150	DO-41
SF17G	500	1.0	30	1.0	1.7	5.0	150	35	60	10	-55~+150	DO-41
SF18G	600	1.0	30	1.0	1.7	5.0	150	35	60	10	-55~+150	DO-41
MUR120	200	1.0	35	1.0	0.875	5.0	150	25	60	20	-55~+150	DO-41
MUR140	400	1.0	35	1.0	1.25	5.0	150	50	60	20	-55~+150	DO-41
MUR160	600	1.0	35	1.0	1.25	5.0	150	50	60	20	-55~+150	DO-41
SF21G	50	2.0	50	2.0	0.95	5.0	150	35	50	30	-55~+150	DO-15
SF22G	100	2.0	50	2.0	0.95	5.0	150	35	50	30	-55~+150	DO-15
SF23G	150	2.0	50	2.0	0.95	5.0	150	35	50	30	-55~+150	DO-15
SF24G	200	2.0	50	2.0	0.95	5.0	150	35	50	15	-55~+150	DO-15
SF25G	300	2.0	50	2.0	1.3	5.0	150	35	50	15	-55~+150	DO-15
SF26G	400	2.0	50	2.0	1.3	5.0	150	35	50	15	-55~+150	DO-15
SF27G	500	2.0	50	2.0	1.7	5.0	150	35	50	15	-55~+150	DO-15
SF28G	600	2.0	50	2.0	1.7	5.0	150	35	50	15	-55~+150	DO-15
MUR220	200	2.0	60	2.0	0.875	5.0	150	25	50	30	-55~+150	DO-15
MUR240	400	2.0	60	2.0	1.25	5.0	150	50	50	30	-55~+150	DO-15
MUR260	600	2.0	60	2.0	1.25	5.0	150	50	50	30	-55~+150	DO-15
SF31G	50	3.0	125	3.0	0.95	5.0	150	35	30	60	-55~+150	DO-201AD
SF32G	100	3.0	125	3.0	0.95	5.0	150	35	30	60	-55~+150	DO-201AD
SF33G	150	3.0	125	3.0	0.95	5.0	150	35	30	60	-55~+150	DO-201AD
SF34G	200	3.0	125	3.0	0.95	5.0	150	35	30	60	-55~+150	DO-201AD
SF35G	300	3.0	125	3.0	1.3	5.0	150	35	30	40	-55~+150	DO-201AD
SF36G	400	3.0	125	3.0	1.3	5.0	150	35	30	40	-55~+150	DO-201AD
SF37G	500	3.0	125	3.0	1.7	5.0	150	35	30	40	-55~+150	DO-201AD
SF38G	600	3.0	125	3.0	1.7	5.0	150	35	30	40	-55~+150	DO-201AD
SF51G	50	5.0	150	5.0	0.95	5.0	150	35	15	60	-55~+150	DO-201AD
SF52G	100	5.0	150	5.0	0.95	5.0	150	35	15	60	-55~+150	DO-201AD
SF53G	150	5.0	150	5.0	0.95	5.0	150	35	15	60	-55~+150	DO-201AD
SF54G	200	5.0	150	5.0	0.95	5.0	150	35	15	60	-55~+150	DO-201AD
SF55G	300	5.0	150	5.0	1.3	5.0	150	35	15	40	-55~+150	DO-201AD
SF56G	400	5.0	150	5.0	1.3	5.0	150	35	15	40	-55~+150	DO-201AD
SF57G	500	5.0	150	5.0	1.7	5.0	150	35	15	40	-55~+150	DO-201AD
SF58G	600	5.0	150	5.0	1.7	5.0	150	35	15	40	-55~+150	DO-201AD
MUR420	200	4.0	125	4.0	0.89	5.0	150	25	20	70	-55~+150	DO-201AD
MUR440	400	4.0	125	4.0	1.28	5.0	150	50	20	70	-55~+150	DO-201AD
MUR460	600	4.0	125	4.0	1.28	5.0	150	50	20	70	-55~+150	DO-201AD
MUR480	800	4.0	125	4.0	1.85	5.0	150	75	20	70	-55~+150	DO-201AD
MUR4100	1000	4.0	125	4.0	1.85	5.0	150	75	20	70	-55~+150	DO-201AD

超快恢复二极管 SUPER FAST RECTIFIER

型号 TYPE NO.	最大反向峰值电压	最大正向电流	最大正向浪涌电流	最大正向压降		最大反向漏电流		最大反向恢复时间	典型热阻	结电容	工作结温	封装 Package
	Max.Reverse Voltage V _{RM} (V)	Max.Aver. Rect.Current I _O (A)	Peak Fwd. Surge Current I _{FSM} (A)	Max.Fwd. Voltage @25°C & Rated I _O	VF(V)	Maximum Reverse Current@Rated VRM&Tc	@25°C IR (μA)	@100°C IR (μA)	T _{rr} (ns)	RθJA(°C/W)	Typical Junction Capacit. Cj(PF)	
SF61G	50	6.0	150	6.0	0.95	5.0	150	35	12	110	-55~+150	R-6
SF62G	100	6.0	150	6.0	0.95	5.0	150	35	12	110	-55~+150	R-6
SF63G	150	6.0	150	6.0	0.95	5.0	150	35	12	110	-55~+150	R-6
SF64G	200	6.0	150	6.0	0.95	5.0	150	35	12	110	-55~+150	R-6
SF65G	300	6.0	150	6.0	1.3	5.0	150	35	12	80	-55~+150	R-6
SF66G	400	6.0	150	6.0	1.3	5.0	150	35	12	80	-55~+150	R-6
SF67G	500	6.0	150	6.0	1.7	5.0	150	35	12	80	-55~+150	R-6
SF68G	600	6.0	150	6.0	1.7	5.0	150	35	12	80	-55~+150	R-6



R-6



DO-41



DO-15



DO-201AD

肖特基二极管 SCHOTTKY RECTIFIER

型号 TYPE NO.	最大反向峰值电压 Max.Reverse Voltage	最大正向电流 Max.Aver. Rect.Current	最大正向浪涌电流 Peak Fwd. Surge Current	最大正向压降 Max.Fwd. Voltage @25°C & Rated Io		最大反向漏电流 Maximum Reverse Current@Rated VRM&Tc		结电容 Typical Junction Capacit.	工作结温 Operating Temp.Range	封装 Package
	VRM(V)	Io(A)	IFSM(A)	Rated Io(A)	VF(V)	@25°C IR (mA)	@100°C IR (mA)	Cj(PF)	Tj(°C)	
SSL810	100	8.0	120	8.0	0.80	0.5	50	400	-55~+150	SMC
SSL34	40	3.0	60	3.0	0.45	0.5	50	220	-55~+125	SMC
SSL36	60	3.0	60	3.0	0.50	0.5	50	180	-55~+150	SMC
SSL310	100	3.0	60	3.0	0.60	0.5	50	130	-55~+150	SMC
SSL54	40	5.0	100	5.0	0.45	0.5	50	330	-55~+125	SMC
SSL56	60	5.0	100	5.0	0.50	0.5	50	220	-55~+150	SMC
SSL510	100	5.0	100	5.0	0.7	0.5	50	680	-55~+150	SMC
SS5U45	45	5.0	120	5.0	0.5	0.5	50	/	-55~+125	TO-277
SS5U60	60	5.0	120	5.0	0.52	0.5	50	/	-55~+150	TO-277
SS5U100	100	5.0	120	5.0	0.6	0.5	50	/	-55~+150	TO-277
SS8U45	45	8.0	150	8.0	0.48	0.5	50	/	-55~+125	TO-277
SS8U60	60	8.0	150	8.0	0.53	0.5	50	/	-55~+150	TO-277
SS8U100	100	8.0	150	8.0	0.65	0.5	50	/	-55~+150	TO-277
SS10U45	45	10.0	200	10.0	0.47	0.5	50	/	-55~+125	TO-277
SS10U60	60	10.0	150	10.0	0.55	0.5	50	/	-55~+150	TO-277
SS10U100	100	10.0	150	10.0	0.65	0.5	50	/	-55~+150	TO-277
SS15U45	45	15.0	275	15.0	0.47	0.5	100	/	-55~+125	TO-277
SS15U60	60	15.0	275	15.0	0.55	0.5	50	/	-55~+150	TO-277
SS15U100	100	15.0	275	15.0	0.8	0.5	50	/	-55~+150	TO-277
SS15U150P	150	15.0	250	15.0	0.84	0.1	20	/	-55~+150	TO-277
SS5U60P	60	5.0	150	5.0	0.58	0.15	20	/	-55~+150	TO-277



SMC



TO-277

肖特基二极管 SCHOTTKY RECTIFIER

型号 TYPE NO.	最大反向峰值电压 Max.Reverse Voltage	最大正向电流 Max.Aver. Rect.Current	最大正向浪涌电流 Peak Fwd. Surge Current	最大正向压降 Max.Fwd. Voltage @25°C & Rated Io		最大反向漏电流 Maximum Reverse Current@Rated VRM&Tc		结电容 Typical Junction Capacit.	工作结温 Operating Temp.Range	封装 Package
	VRM(V)	Io(A)	IFSM(A)	Rated Io(A)	VF(V)	@25°C IR (mA)	@125°C IR (mA)	Cj(PF)	Tj(°C)	
MBR1060CDS	60	10	100	5.0	0.75	0.2	20	400	-55~+150	TO-252
MBR10100CDS	100	10	100	5.0	0.85	0.1	20	400	-55~+175	TO-252
MBR10150CDS	150	10	100	5.0	0.9	0.1	20	300	-55~+175	TO-252
MBR10200CDS	200	10	100	5.0	0.95	0.1	20	300	-55~+175	TO-252
MBR1060CD	60	10	120	5.0	0.72	0.05	10	600	-55~+150	TO-252
MBR10100CD	100	10	120	5.0	0.8	0.05	10	600	-55~+175	TO-252
MBR10150CD	150	10	120	5.0	0.85	0.05	10	600	-55~+175	TO-252
MBR10200CD	200	10	120	5.0	0.9	0.05	10	600	-55~+175	TO-252
MBR2060CD	60	20	150	10	0.75	0.05	10	600	-55~+150	TO-252
MBR20100CD	100	20	150	10	0.83	0.05	10	600	-55~+175	TO-252
MBR20150CD	150	20	150	10	0.87	0.05	10	600	-55~+175	TO-252
MBR20200CD	200	20	150	10	0.92	0.05	10	600	-55~+175	TO-252
MBR1045CTS	45	10.0	100	5.0	0.65	0.2	20	400	-55~+150	TO-220AB
MBR1060CTS	60	10.0	120	5.0	0.75	0.2	20	400	-55~+150	TO-220AB
MBR10100CTS	100	10.0	100	5.0	0.85	0.1	20	300	-55~+175	TO-220AB
MBR10150CTS	150	10.0	100	5.0	0.9	0.1	20	300	-55~+175	TO-220AB
MBR10200CTS	200	10.0	100	5.0	0.95	0.1	20	300	-55~+175	TO-220AB
MBR2045CTS	40	20	130	10	0.65	0.2	20	400	-55~+150	TO-220AB
MBR2060CTS	60	20	150	10	0.75	0.2	50	400	-55~+150	TO-220AB
MBR20100CTS	100	20	130	10	0.85	0.1	20	300	-55~+175	TO-220AB
MBR20150CTS	150	20	130	10	0.9	0.1	20	300	-55~+175	TO-220AB
MBR20200CTS	200	20	130	10	0.95	0.1	20	300	-55~+175	TO-220AB
MBR3045CTS	40	30	200	15	0.65	0.2	20	600	-55~+150	TO-220AB
MBR3060CTS	60	30	200	15	0.75	0.2	50	600	-55~+150	TO-220AB
MBR30100CTS	100	30	230	15	0.85	0.1	20	300	-55~+175	TO-220AB
MBR30150CTS	150	30	230	15	0.9	0.1	20	300	-55~+175	TO-220AB
MBR30200CTS	200	30	230	15	0.95	0.1	20	300	-55~+175	TO-220AB
MBR1045CT	45	10.0	100	5.0	0.6	0.2	50	400	-55~+150	TO-220AB
MBR1060CT	60	10.0	120	5.0	0.72	0.2	50	400	-55~+150	TO-220AB
MBR10100CT	100	10.0	120	5.0	0.8	0.1	10	200	-55~+175	TO-220AB
MBR10150CT	150	10.0	120	5.0	0.85	0.1	10	200	-55~+175	TO-220AB
MBR10200CT	200	10.0	120	5.0	0.90	0.1	10	200	-55~+175	TO-220AB
MBR2045CT	45	20	150	10	0.60	0.2	50	600	-55~+150	TO-220AB
MBR2060CT	60	20	150	10	0.72	0.2	50	600	-55~+150	TO-220AB
MBR20100CT	100	20	150	10	0.8	0.1	20	400	-55~+175	TO-220AB
MBR20150CT	150	20	150	10	0.85	0.1	20	400	-55~+175	TO-220AB
MBR20200CT	200	20	150	10	0.90	0.1	20	400	-55~+175	TO-220AB
MBR20300CT	300	20	200	10	0.975	0.05	10	250	-55~+150	TO-220AB
MBR3045CT	45	30	250	15	0.65	0.2	50	700	-55~+150	TO-220AB
MBR3060CT	60	30	250	15	0.72	0.2	50	700	-55~+150	TO-220AB
MBR30100CT	100	30	250	15	0.8	0.1	20	600	-55~+175	TO-220AB
MBR30150CT	150	30	250	15	0.85	0.1	20	600	-55~+175	TO-220AB
MBR30200CT	200	30	250	15	0.90	0.1	20	600	-55~+175	TO-220AB



TO-252



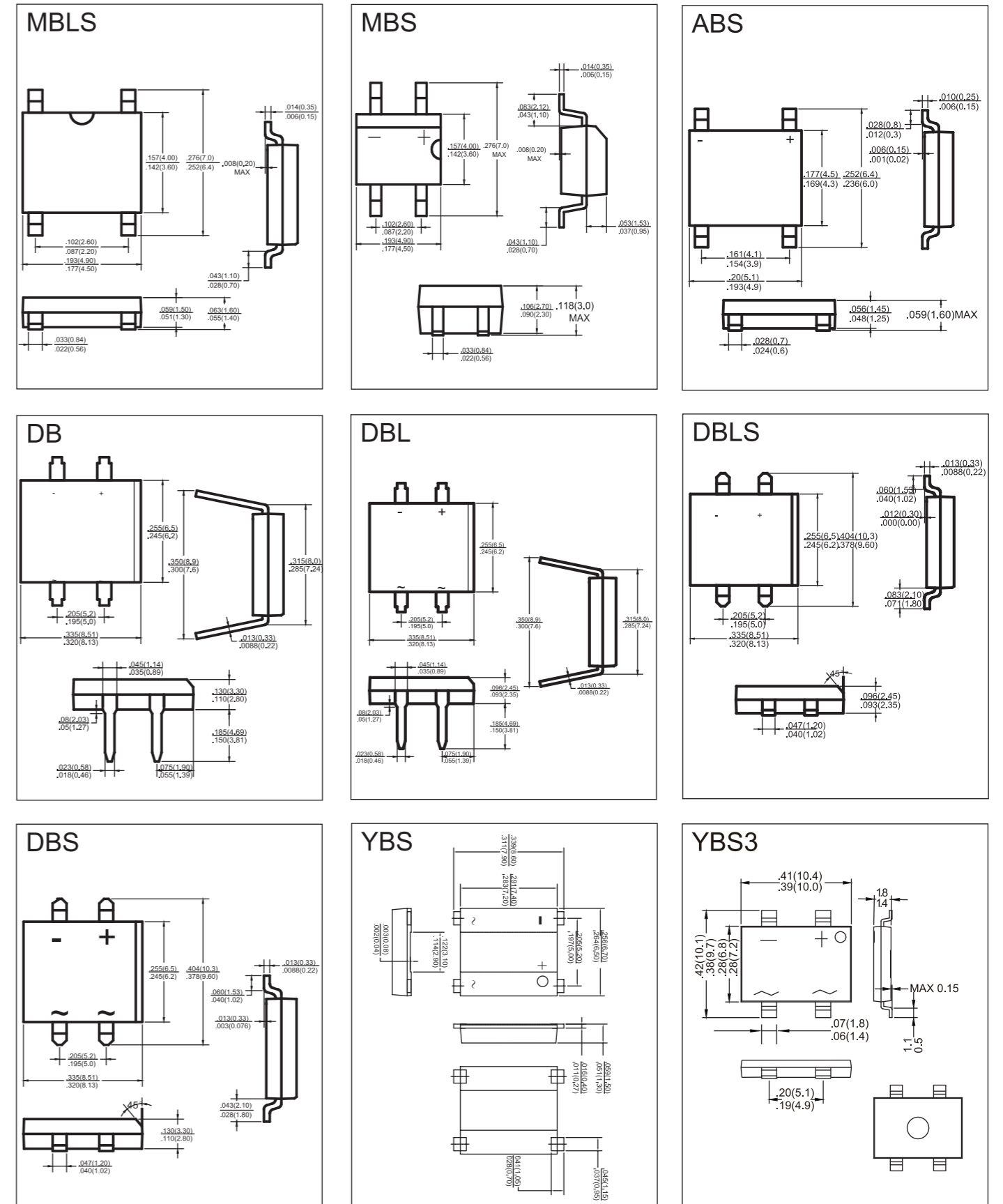
TO-220AB

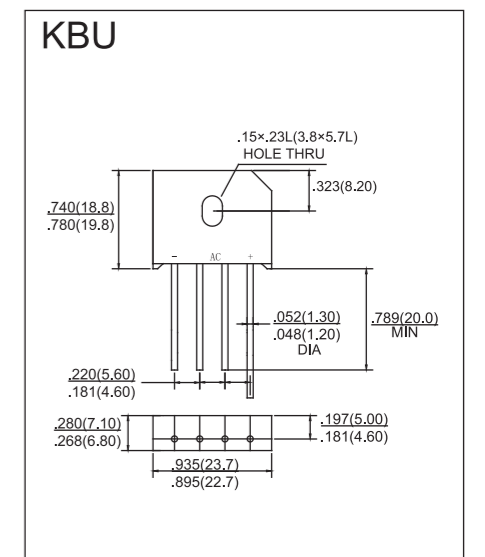
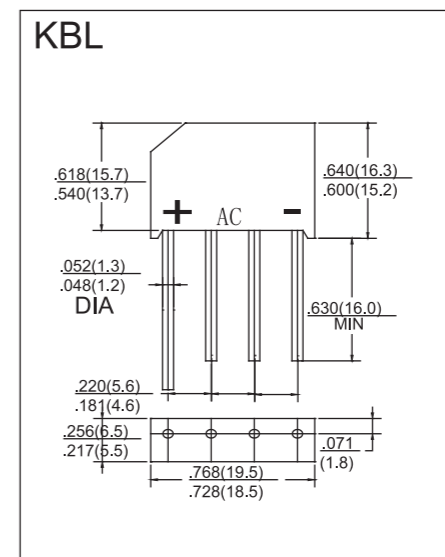
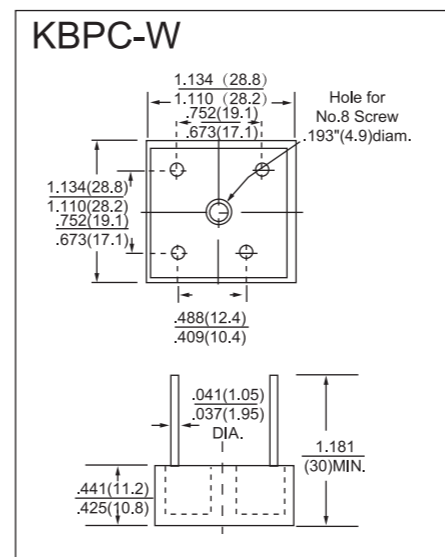
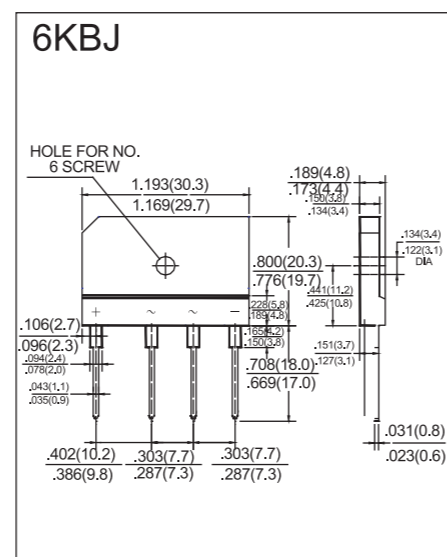
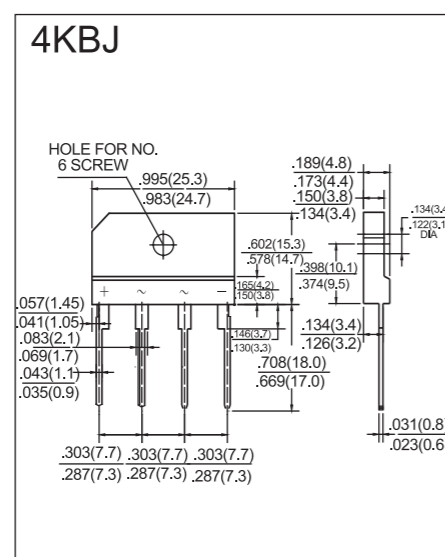
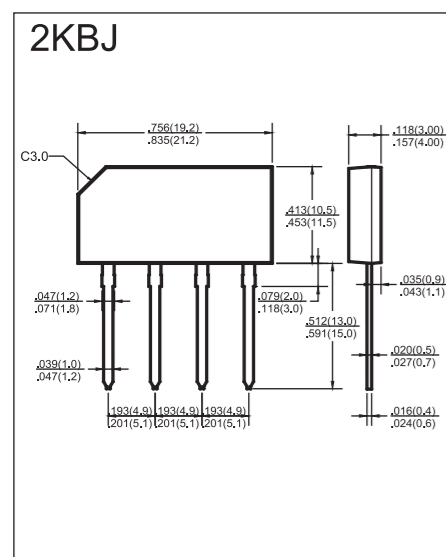
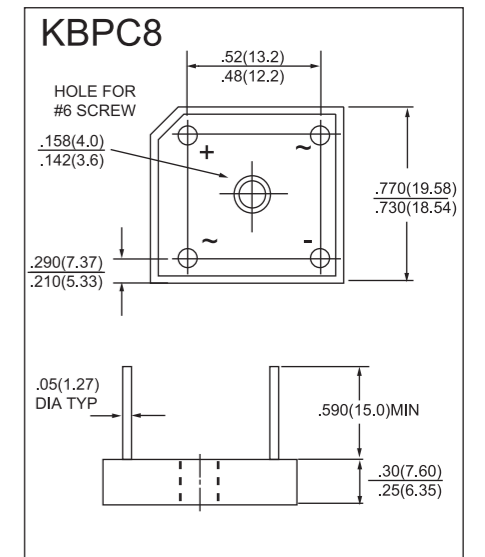
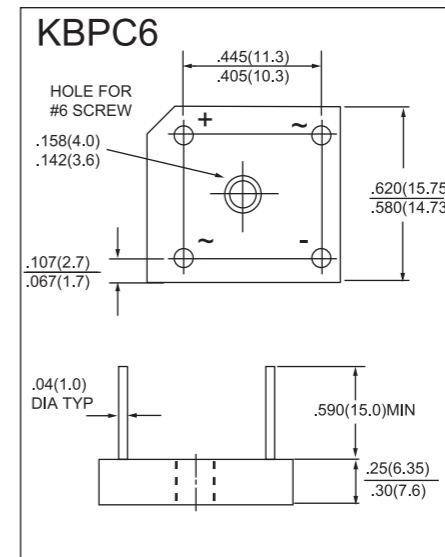
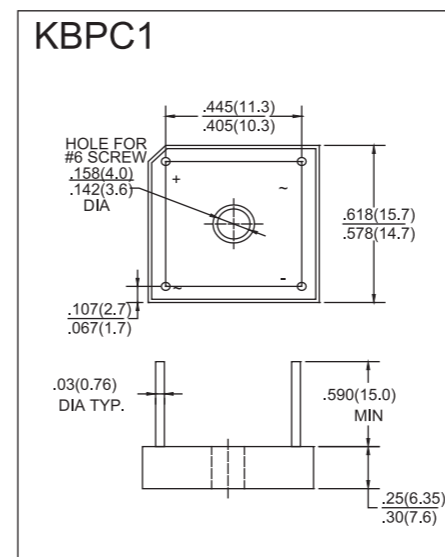
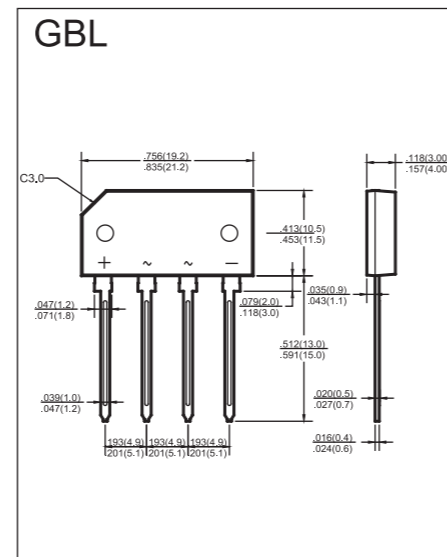
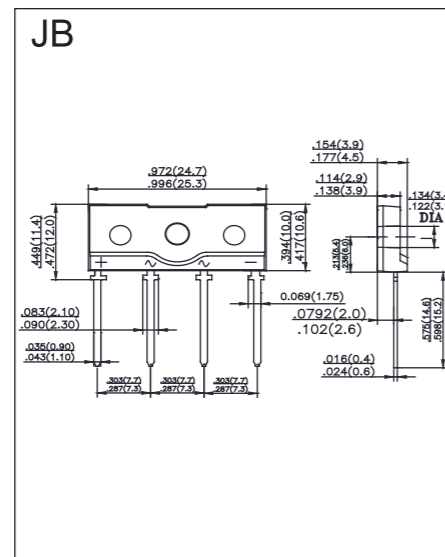
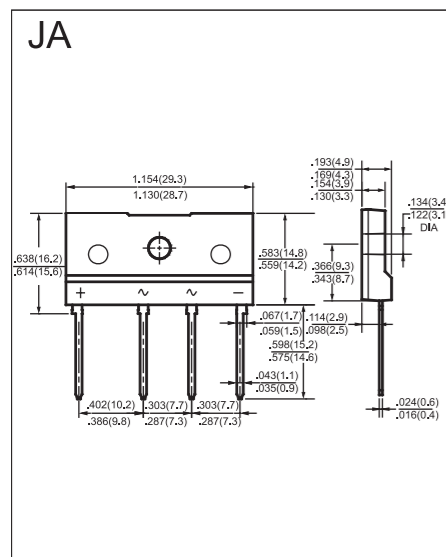
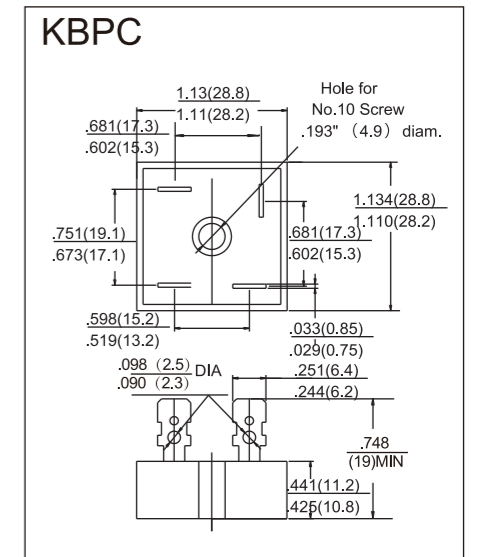
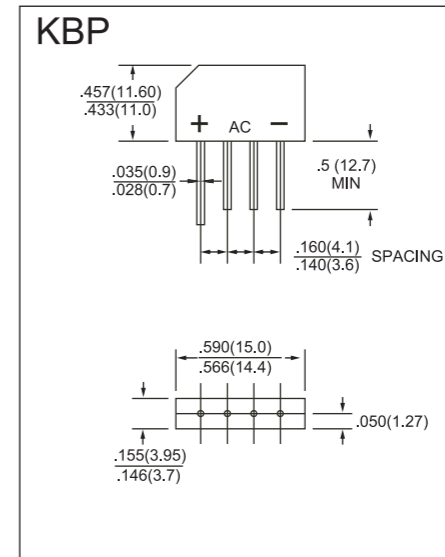
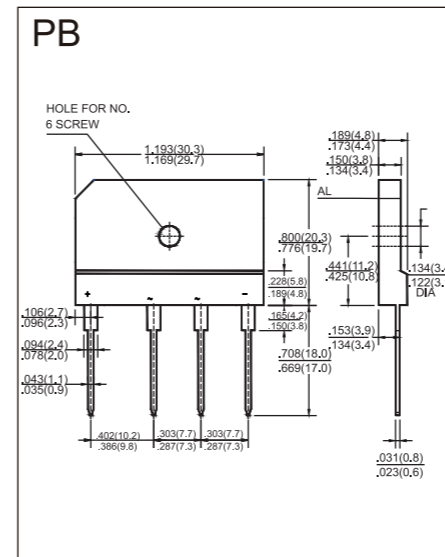
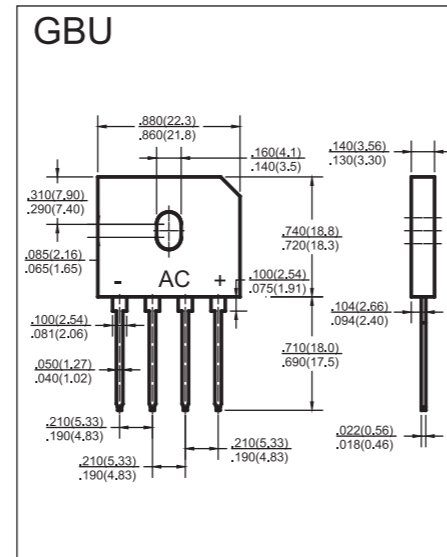
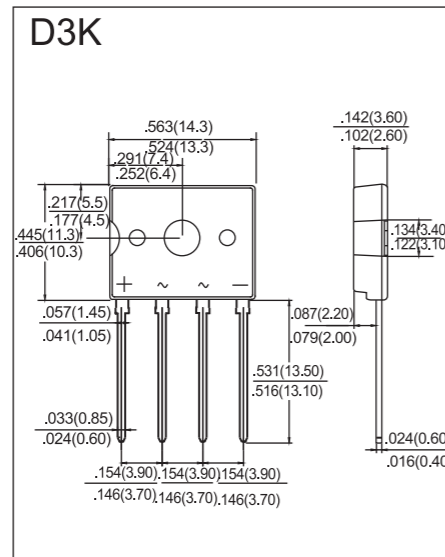
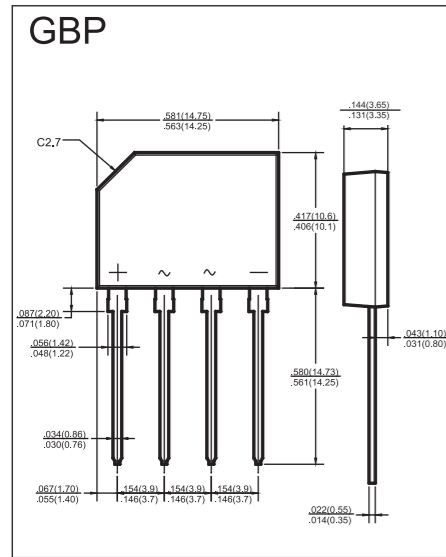
光伏二极管
PV RECTIFIER

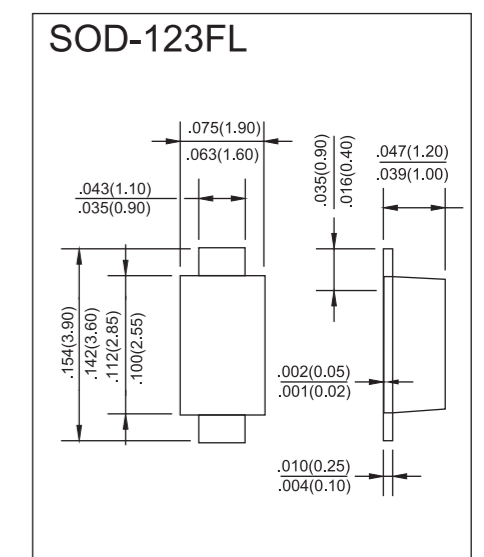
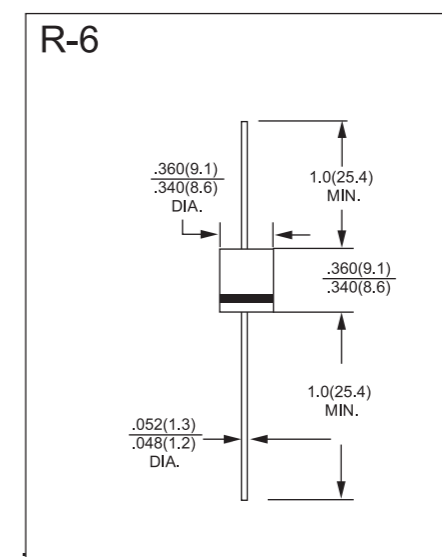
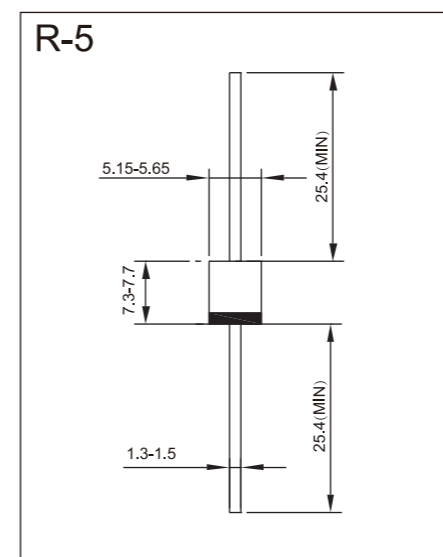
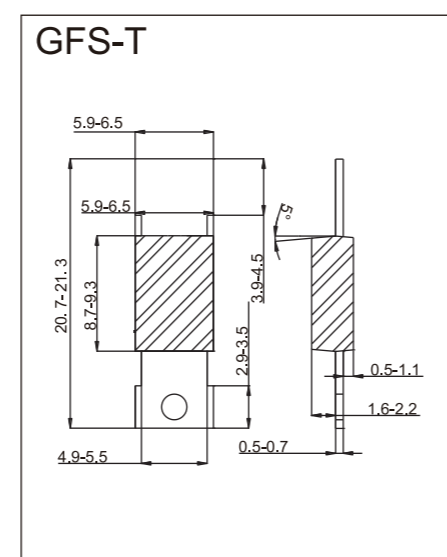
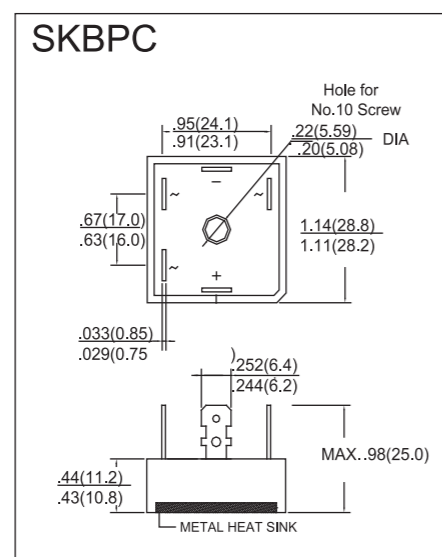
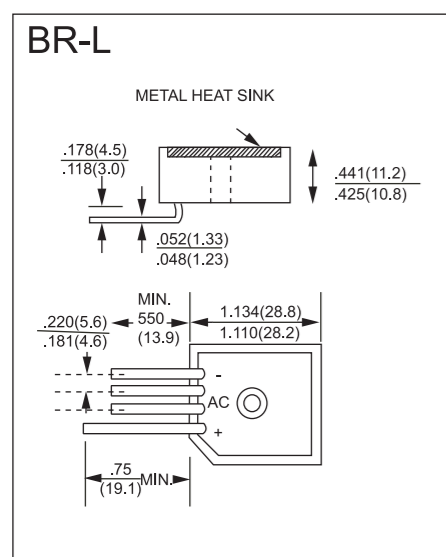
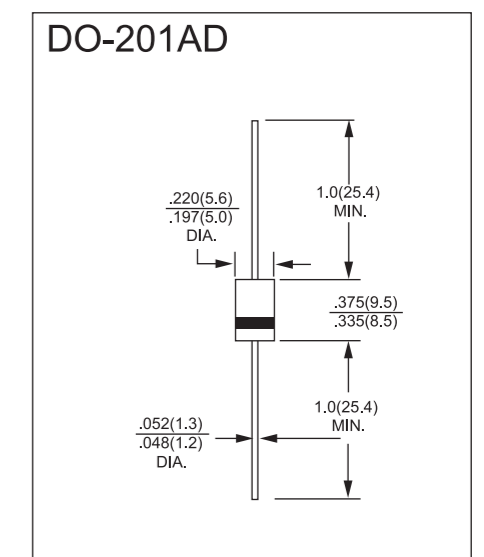
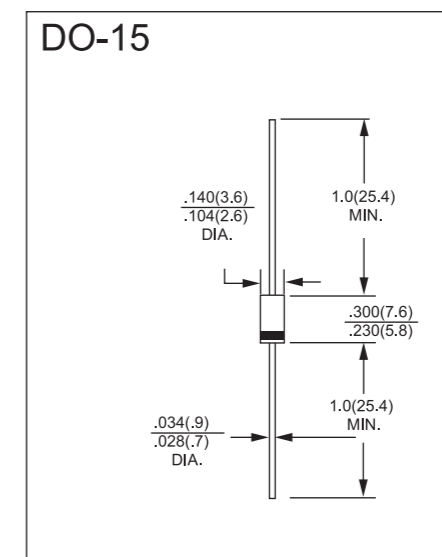
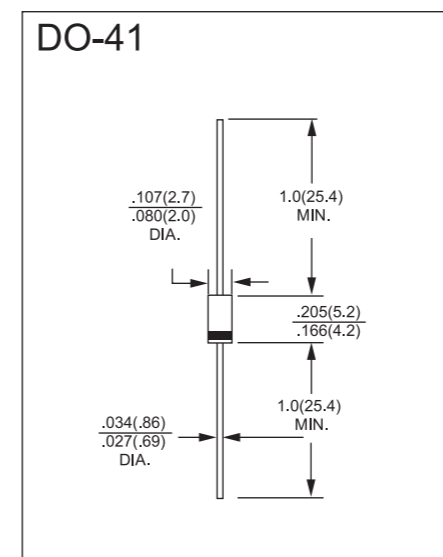
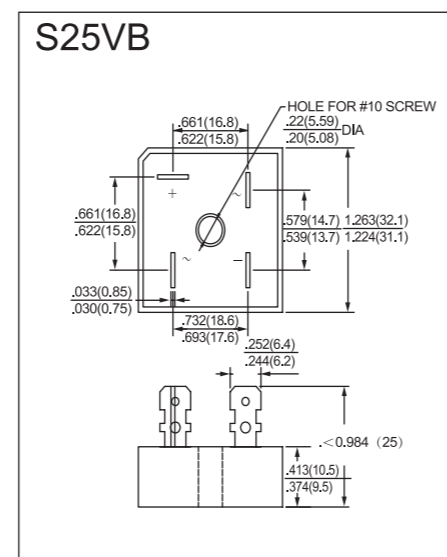
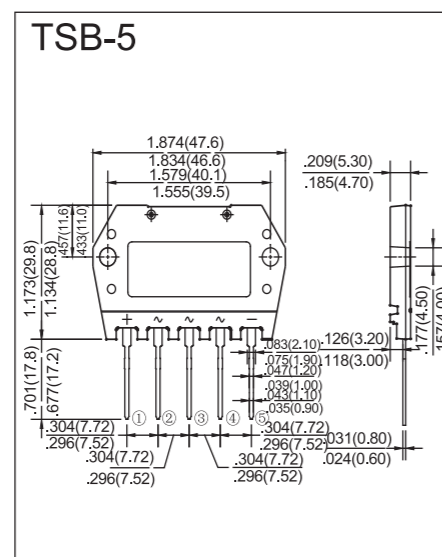
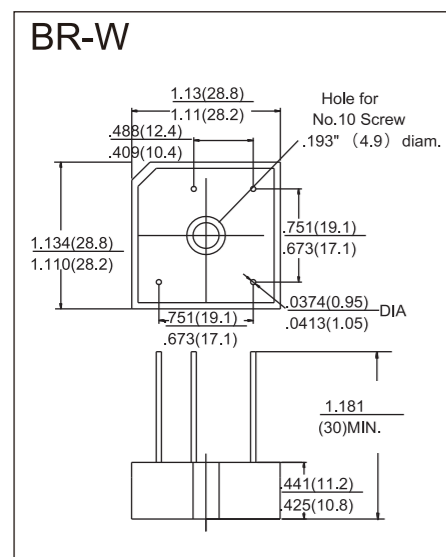
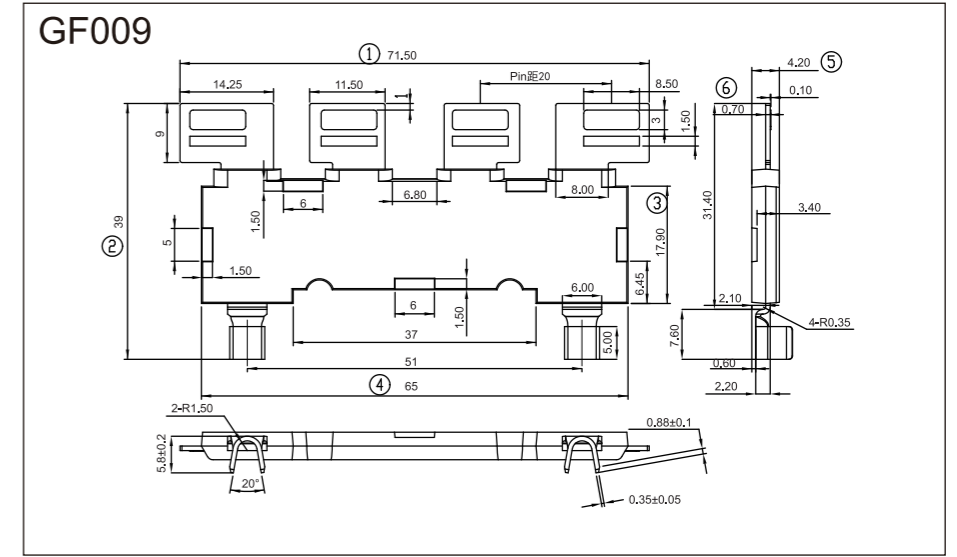
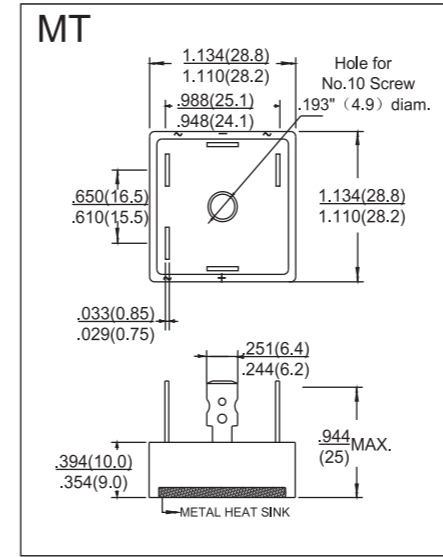
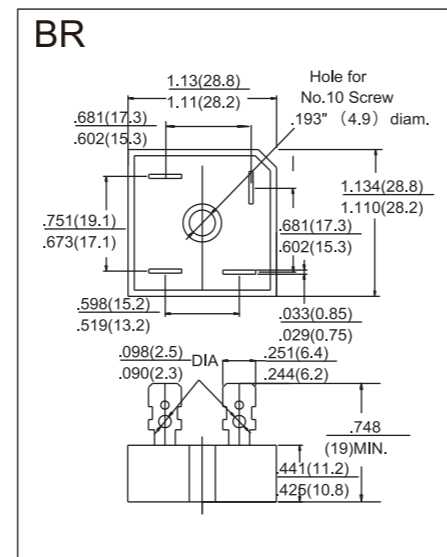
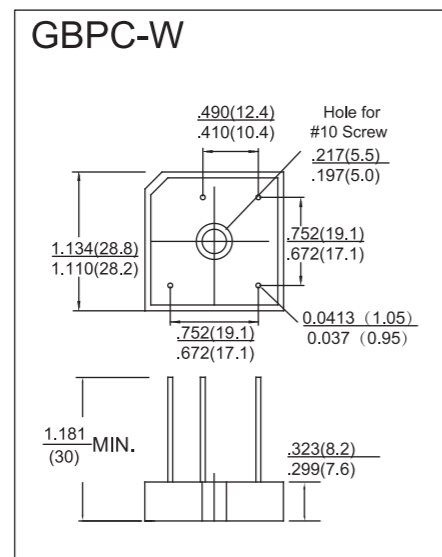
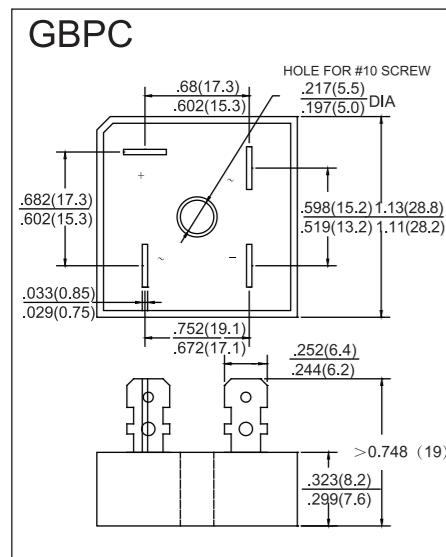
型号 TYPE NO.	最大反向峰值电压 Max.Reverse Voltage	最大正向电流 Max.Aver. Rect.Current	最大正向浪涌电流 Peak Fwd. Surge Current	最大正向压降 Max.Fwd. Voltage @25°C & Rated Io		最大反向漏电流 Maximum Reverse Current@Rated VRM&Tc		典型热阻 Typical Thermal Resistance	结电容 Typical Junction Capacit.	工作结温 Operating Temp.Range	封装 Package
	VRM(V)	Io(A)	IFSM(A)	Rated Io(A)	VF(V)	@25°C IR (mA)	@100°C IR (mA)	RθJC(°C/W)	Cj(PF)	Tj(°C)	
GF2045MG	45	20.0	325	20.0	0.55	0.5	50	2.0	2000	-55~+200	TO-263
GF3045MG	45	30.0	375	30.0	0.55	0.5	50	2.0	2000	-55~+200	TO-263
GF2045MG	45	20.0	275	20.0	0.53	0.1	7	2.0	5000	-55~+200	TO-263
GF3045MG	45	30.0	315	30.0	0.5	0.1	7	2.0	5000	-55~+200	TO-263
12SQ045	45	12.0	275	12.0	0.55	0.5	20	2.5	2000	-55~+200	R-6
15SQ045	45	15.0	325	15.0	0.5	0.5	50	2.5	2000	-55~+200	R-6
20SQ045	45	20.0	375	20.0	0.51	0.5	50	2.5	2000	-55~+200	R-6
25SQ045	45	25.0	380	25.0	0.52	0.5	50	2.5	2000	-55~+200	R-6
30SQ045	45	30.0	380	30.0	0.55	0.5	50	2.5	2000	-55~+200	R-6
12SQ045	45	12.0	235	12.0	0.5	0.1	5	2.5	5000	-55~+200	R-6
15SQ045	45	15.0	275	15.0	0.48	0.1	7	2.5	5000	-55~+200	R-6
20SQ045	45	20.0	315	20.0	0.48	0.1	7	2.5	5000	-55~+200	R-6
12SQ045	45	12.0	275	12.0	0.55	0.5	20	2.2	2000	-55~+200	R-7
15SQ045	45	15.0	325	15.0	0.5	0.5	50	2.2	2000	-55~+200	R-7
20SQ045	45	20.0	375	20.0	0.51	0.5	50	2.2	2000	-55~+200	R-7
25SQ045	45	25.0	380	25.0	0.52	0.5	50	2.2	2000	-55~+200	R-7
30SQ045	45	30.0	380	30.0	0.55	0.5	50	2.2	2000	-55~+200	R-7
12SQ045	45	12.0	235	12.0	0.5	0.1	5	2.2	5000	-55~+200	R-7
15SQ045	45	15.0	275	15.0	0.48	0.1	7	2.2	5000	-55~+200	R-7
20SQ045	45	20.0	315	20.0	0.48	0.1	7	2.2	5000	-55~+200	R-7
12SQ045	45	12.0	275	12.0	0.55	0.5	20	2.0	2000	-55~+200	R-5
12SQ045	45	12.0	235	12.0	0.5	0.1	5	2.0	5000	-55~+200	R-5
GFMK3045T	45	30	275	30	0.55	0.1	7	1.6	5000	-55~+200	GF009
GFS2045	45	20.0	275	20.0	0.5	0.1	7	1.3	5000	-55~+200	GFS-T
GFMK2545SC	45	25	300	25	0.6	0.5	7	1.6	2000	-55~+200	GF009
GFMK3045SC	45	30	350	30	0.55	0.5	7	1.6	5000	-55~+200	GF009

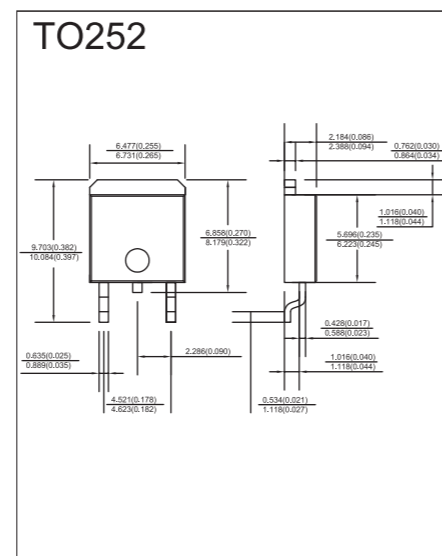
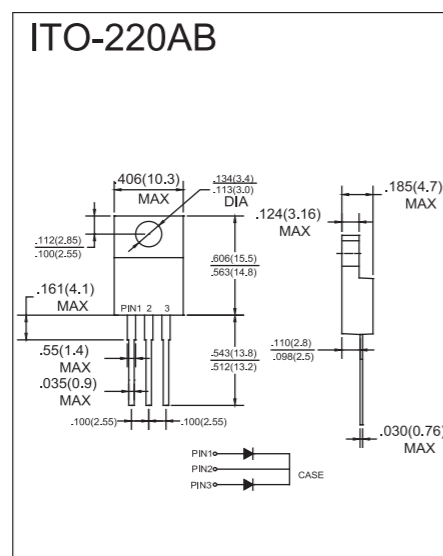
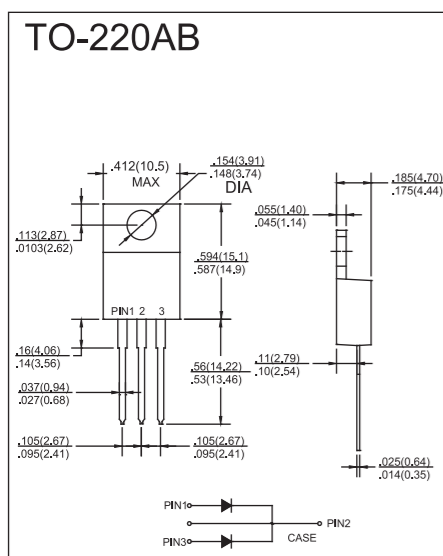
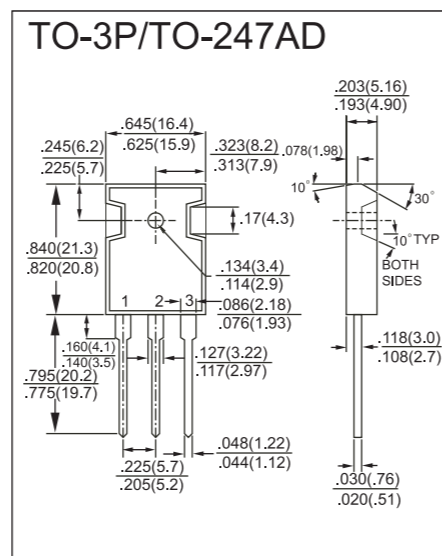
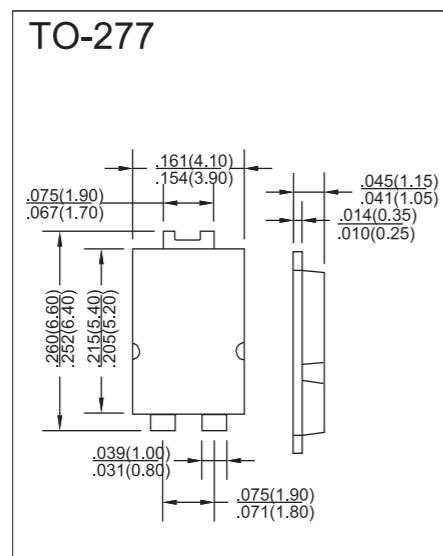
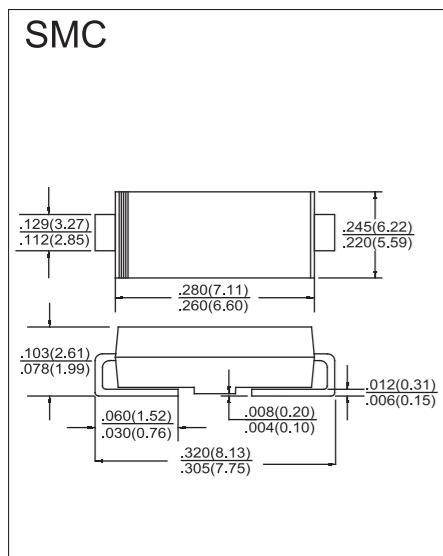
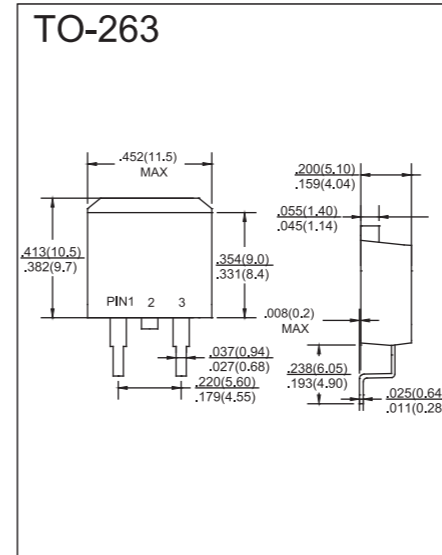
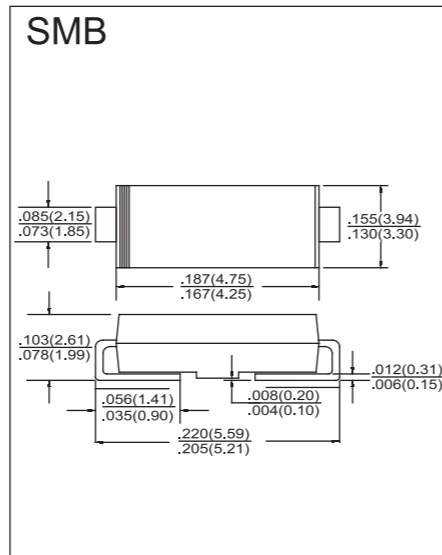
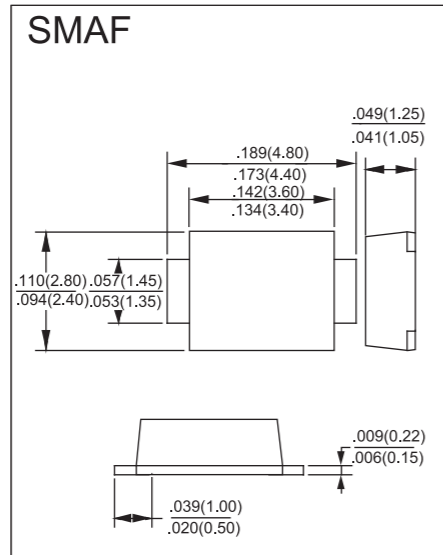
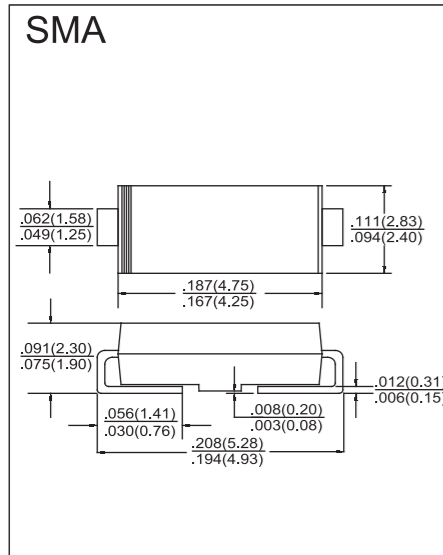


封装尺寸图
OUTLINE DRAWING

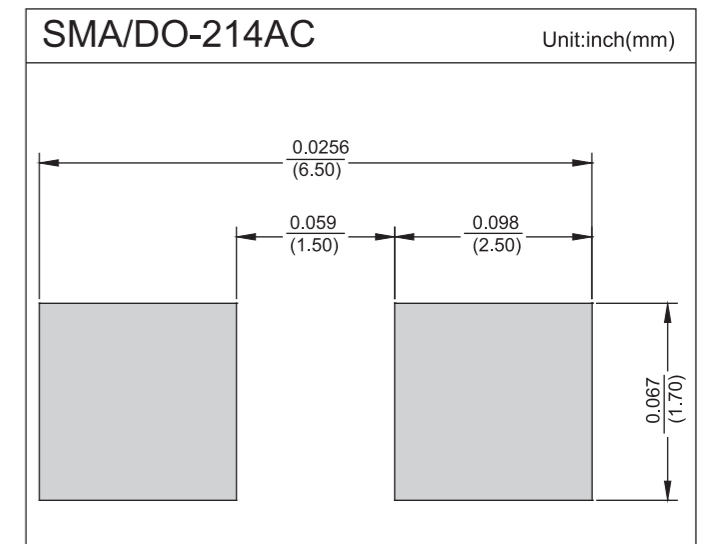
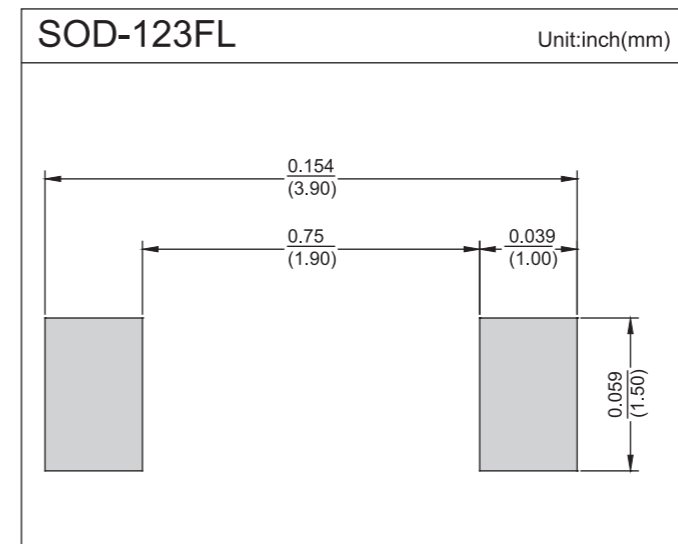


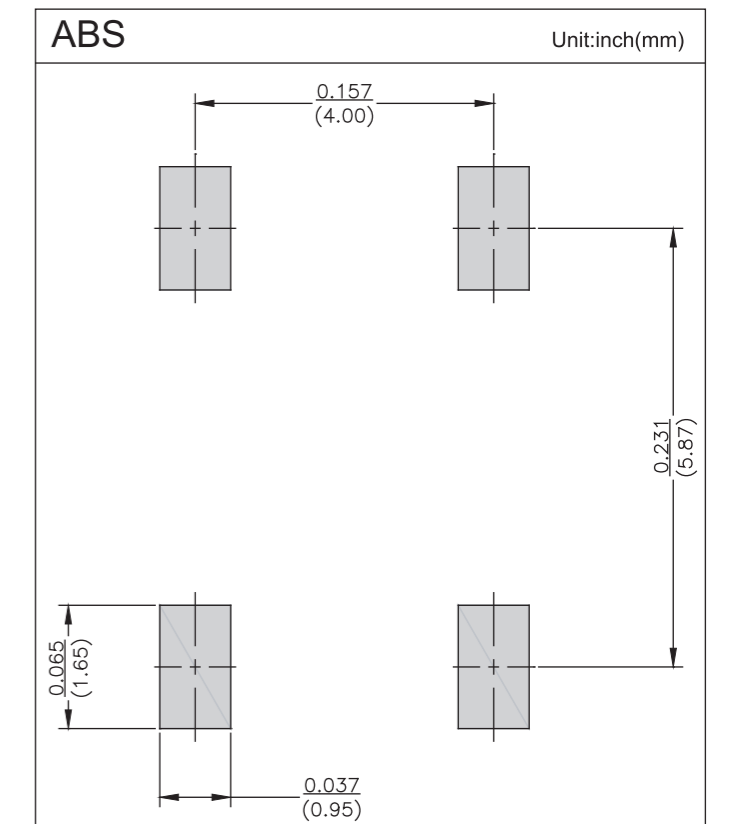
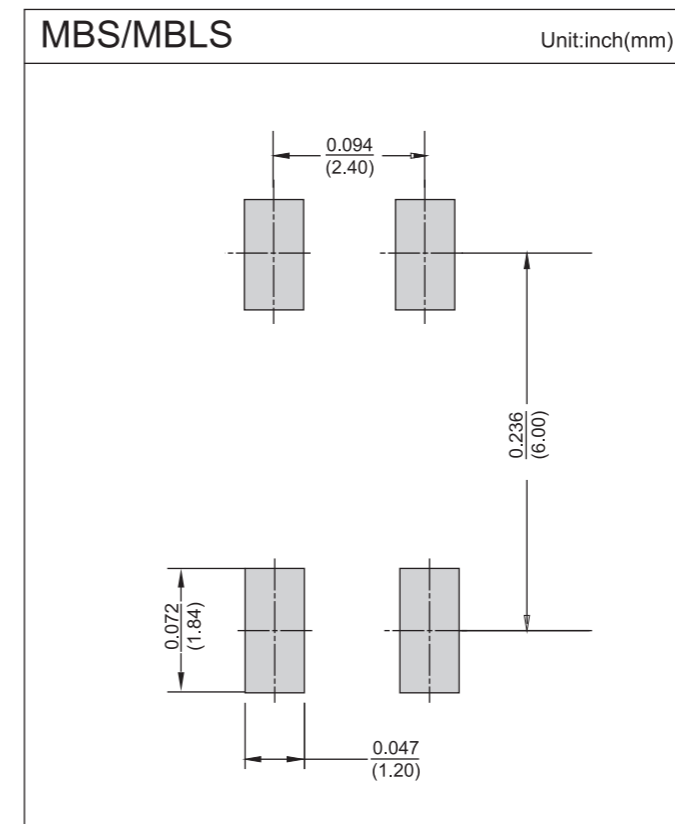
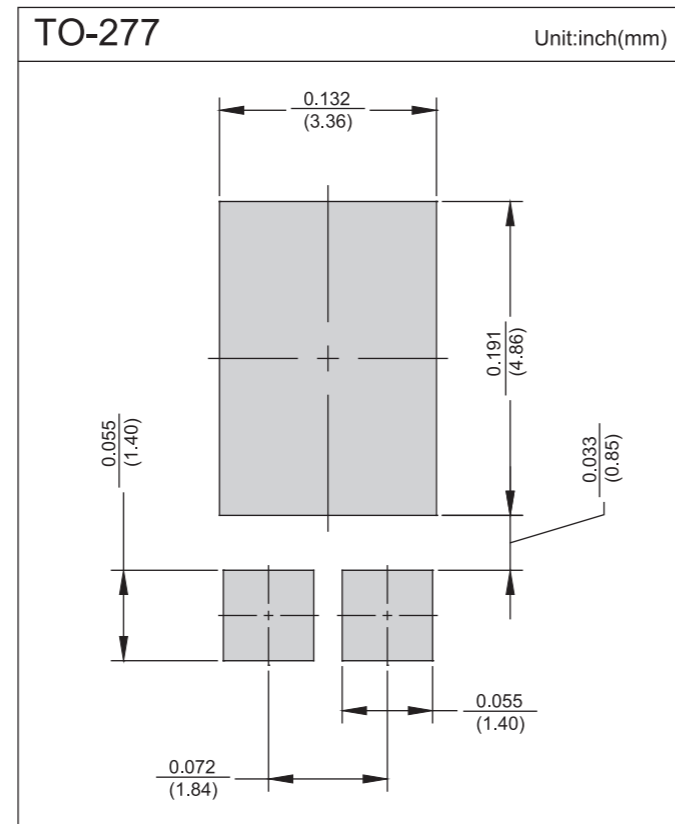
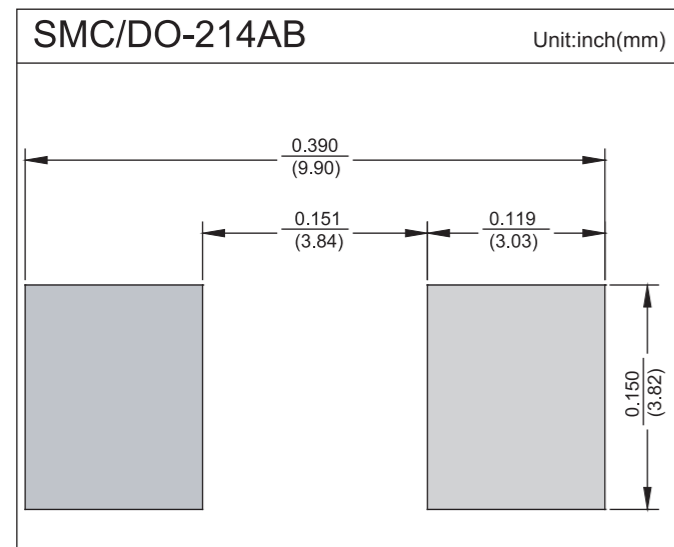
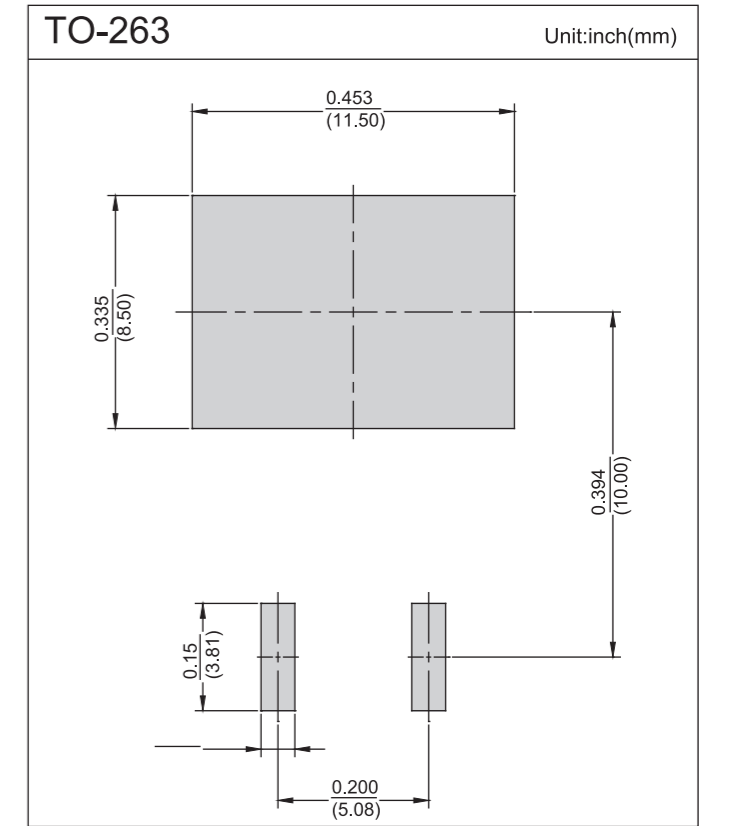
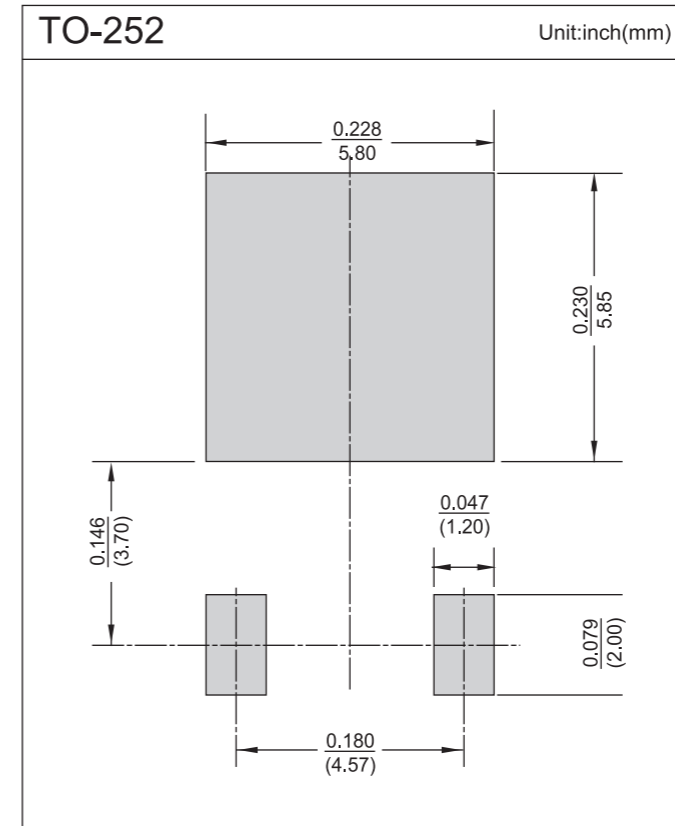
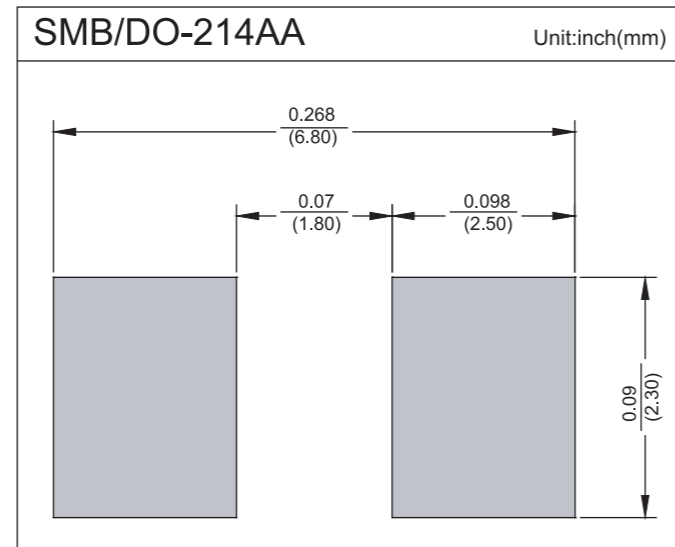
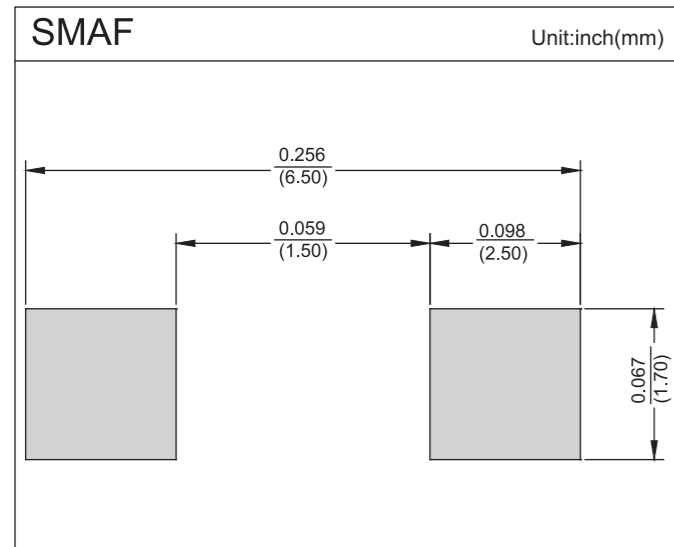


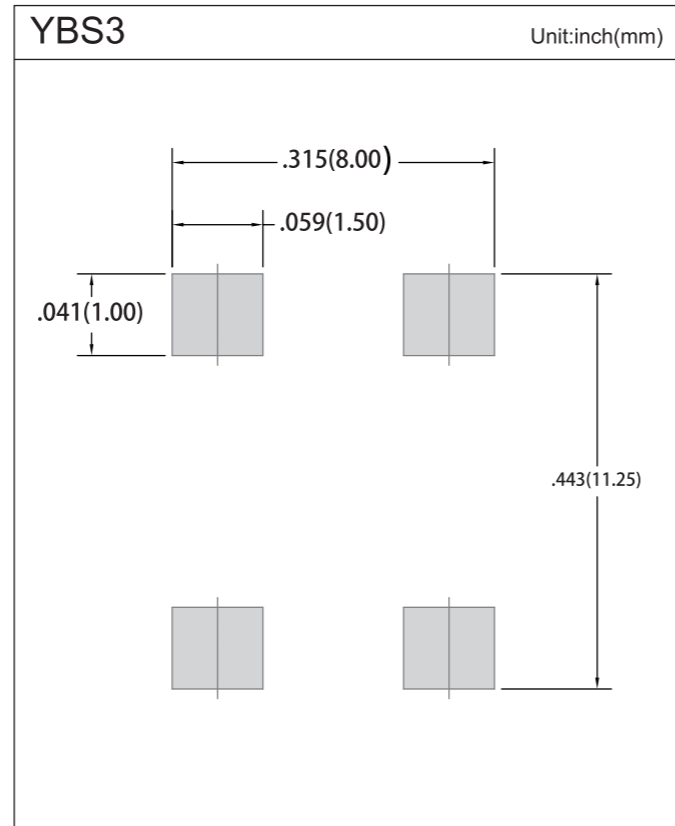
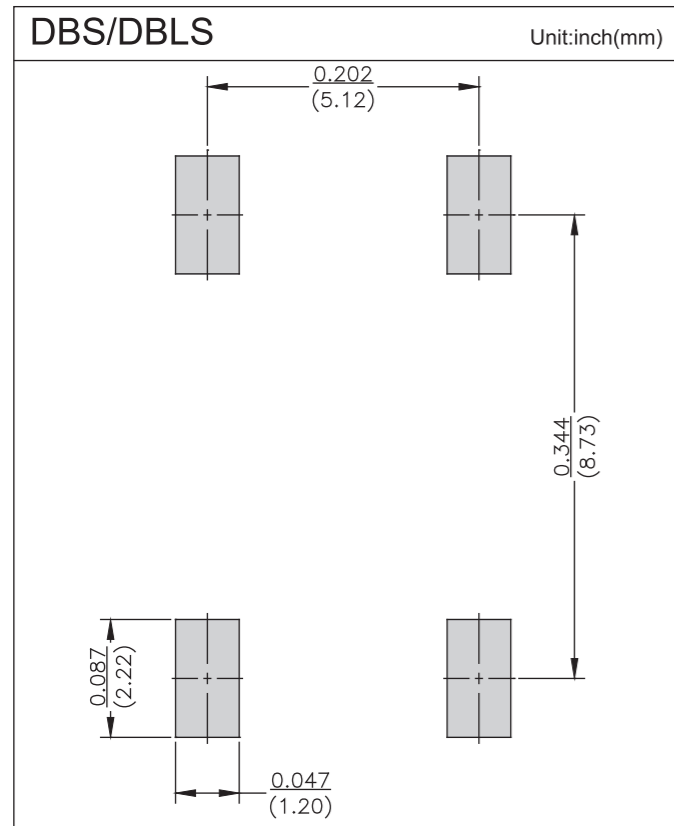




焊盘尺寸图 SUGGESTED PAD LAYOUT







包装形态
PACKING

封装型号 Package No	包装代码 Packing Code	包装方式 Packing Method	PCS/(管or卷) Tube/Reel	只/盒 Pcs/Box	只/箱 Pcs/Carton	内盒尺寸 (mm) Inner Box Size			外箱尺寸 (mm) Carton Size			单盒重量 (±0.3Kg) Single box weight		整箱重量 (±0.5Kg) FCL weight	
						长 (L)	宽 (W)	高 (H)	长 (L)	宽 (W)	高 (H)	毛重 (KG)	净重 (KG)	毛重 (KG)	净重 (KG)
DO-41	C1	Bulk	/	1000	50000	200	85	20	460	220	265	0.32	0.29	16.1	14.7
	D1	Tape	/	5000	50000	258	71	142	395	285	320	1.58	1.47	17.0	14.7
	E1	Tape	/	3000	72000	250	45	92	425	275	325	0.8	0.69	19.7	16.6
DO-15	C1	Bulk	/	500	25000	200	85	20	445	215	265	0.22	0.19	11.6	9.5
	D1	Tape	/	3000	30000	258	71	142	395	285	320	1.28	1.16	14.7	11.6
DO-201AE	C1	Bulk	/	250	12500	200	85	20	445	215	265	0.28	0.26	14.2	13.0
	D1	Tape	/	1250	12500	258	71	134	410	290	305	1.4	1.28	15.2	12.8
DO-201AD	C1	Bulk	/	250	12500	200	85	20	445	215	265	0.31	0.28	15.6	14.2
	D1	Tape	/	1250	12500	258	71	134	410	290	305	1.54	1.42	16.5	14.2
SMA-W	F1	Reel	5000	10000	80000	340	340	40	360	360	360	1.43	0.7	12.8	5.6
KBP	A1	Bulk	/	500	5000	203	203	35	435	215	210	0.992	0.89	10.7	8.9
	B1	Tube	30	1500	3000	490	121	116	505	315	150	4.86	2.65	10.27	5.3
KBL	A1	Bulk	/	500	4000	245	255	43	510	270	200	2.45	2.27	20.2	18.2
KBU	A1	Bulk	/	400	2400	237	270	53	495	280	175	3.05	2.87	18.6	17.3
KBPC1	A1	Bulk	/	200	2000	203	203	35	445	215	260	0.585	0.48	6.4	4.8
KBPC6	A1	Bulk	/	200	2000	203	203	35	445	215	260	0.699	0.593	7.5	5.9
KBPC8	A1	Bulk	/	200	2000	203	203	30	490	240	205	1.055	0.977	11.6	9.8
KBPC25	A1	Bulk	/	50	500	203	203	46	445	215	26	1.35	1.24	14.0	12.4
KBPC-W	A1	Bulk	/	50	500	203	203	46	445	215	26	1.32	1.25	13.7	12.5
GBPC	A1	Bulk	/	50	500	203	203	46	445	215	26	0.87	0.77	8.7	7.7
GBPC-W	A1	Bulk	/	50	500	203	203	46	445	215	26	0.71	0.61	7.7	6.1
BR-L	A1	Bulk	/	120	1200	203	203	46	445	215	26	2.13	2.02	21.8	20.2
SKBPC	A1	Bulk	/	50	500	203	203	46	445	215	26	1.05	0.95	11.0	9.5
S25VB	A1	Bulk	/	50	500	203	203	46	445	215	26	1.13	1.02	11.8	10.2
MT	A1	Bulk	/	50	500	203	203	46	445	215	26	1.01	0.91	10.6	9.1
TO-220	B1	Tube	50	1000	5000	550	155	38	570	210	175	2.75	1.9	14.3	9.5
TO-220	B1	Tube	50	1000	5000	550	155	38	570	210	175	2.69	1.84	14.0	9.2
ITO-220	B1	Tube	50	1000	5000	550	155	38	570	210	175	2.33	1.48	12.2	7.4
ITO-220	B1	Tube	50	1000	5000	550	155	38	570	210	175	2.27	1.42	11.9	7.1
TO-263	F1	Reel	1000	2000	10000	400	390	70	430	410	375	3.95	2.8	20.8	14.1
	F2	Reel	800	1600	8000	335	335	65	370	350	350	3.15	2.26	16.7	11.3
R-6	B1	Tube	50	2000	8000	545	145	87	575	330	210	4.39	2.8	18.8	11.3
	C1	Bulk	/	100	5000	193	83	20	445	215	250	0.24	0.2	25.5	24.5
	D1	Tape	/	500	5000	258	71	150	380	270	335	1.12	1	12.0	11.0
GF009	F1	Tape	/	750	3000	/	/	/	360	350	345	2.1	1.85	10.1	10.0
	F2	Tape	/	1000	4000	/	/	/	360	350	345	2.2	2	10.1	8.5
	K1	Bulk	40	200	1000	157	510	54	540	190	305	3.8	3.64	20	18.23
GFS	B1	Tube	80	4000	12000	540	165	60	580	205	225	5.32	3.65	16.9	11.0
TO-277	F1	Reel	5000	10000	80000	340	340	40	360	360	360	1.4	0.83	12.0	6.6
SOD-123FL	F1	Reel	3000	15000	120000	185	185	70	400	220	300	0.67	0.25	5.85	1.97
	F2	Reel	2500	12500	100000	185	185	70	400	220	300	0.62	0.20	4.88	1.64
	F3	Reel	10000	30000	210000	340	340	40	360	360	360	1.53	0.49	10.24	3.44
	F4	Reel	3000	27000	108000	205	202	110	435	225	255	1.20	0.44	5.27	1.77
	F5	Reel	10000	20000	160000	340	340	40	360	360	360	1.16	0.33	7.80	2.62
	F6	Reel	3000	12000	60000	363	185	30	385	210	200	0.54	0.20	2.93	0.98
	F7	Reel	10000	20000	100000	337	337	30	360	355	200	1.16	0.33	4.97	1.64
SMAF	F1	Reel	3000	12000	96000	185	185	70	400	220	300	0.89	0.41	7.85	3.28
	F2	Reel	7500	15000	120000	340	340	40	360	360	360	1.61	0.51	14.25	4.10
	F3	Reel	10000	20000	120000	185	185	70	400	220	300	2.05	0.68	14.48	4.10
	F4	Reel	7500	15000	120000	340	340	40	360	360	360	1.61	0.51	14.25	4.10



销售网络

◆扬州办事处

Add: 扬州市维扬经济开发区荷叶西路6号
Tel: 0086-514-87948506
Email: haiyang.zhu@21yangjie.com

◆上海办事处

Add: 上海市虹桥商务区申虹路666号正荣中心1号楼503
Tel: 0086-21-64661571
Email: zhijuan.zhan@21yangjie.com

◆杭州办事处

Add: 杭州市滨江区长河街道科技馆街1600号银泰国际商务中心2706室
Tel: 0086-571-87552171
Email: mj@21yangjie.com

◆深圳办事处

Add: 深圳市宝安区西乡大道230号满京华艺杰大厦1座16楼
Tel: 0086-755-61200115
Email: changhao.li@21yangjie.com

◆广州办事处

Add: 广州市番禺区钟村雄峰城G5座313室
Tel: 0086-20-81375959
Email: jing.sun@21yangjie.com

◆厦门办事处

Add: 厦门市湖里区象屿保税区银盛大厦10D
Tel: 0086-592-5600175
Email: zb@21yangjie.com

◆武汉办事处

Add: 武汉市江夏区武大园三路力源信息203
Tel: 0086-27-87166707
Email: leo.liao@21yangjie.com

◆成都办事处

Add: 成都市金牛区兴盛西路2号天元大厦2-511室
Tel: 0086-28-87751036
Email: fei.long@21yangjie.com

◆天津办事处

Add: 天津市武清区雍阳西路莱茵翠景3-1-201
Tel: 0086-22-58952318
Email: guangwei.cheng@21yangjie.com

◆青岛办事处

Add: 青岛市李沧区书院路37号奥克斯广场6号楼1702室
Tel: 0086-532-66760079
Email: huanjian.liu@21yangjie.com

◆台湾办事处

Add: 新北市中和区建八路16号六楼-5
电话: 886-82263996
Email: stanley.yeh@21yangjie.com

◆South Korea Sales Office

Add: Rm 1105, Bd 103, No.88, Sinwon-ro, Yeongtong-gu, Suwon-si, Gyeonggi-do, Republic of Korea
Tel: 070-8890-0188
Email: sunny.qian@21yangjie.com

◆Japan Sales Office

Add: 东京都中央区日本桥兜町5-1兜町第1平和ビル3F
Tel: 0086-514-80983686
Email: yjsale7@21yangjie.com

◆South Asia and India Sales Office

Add: No. 6, West Heye Road, Hanjiang District, Yangzhou, China
Tel: 0086-86-514-80982407
Email: yjdiode@21yangjie.com

◆光伏销售部

Add: 扬州市维扬经济开发区荷叶西路6号
Tel: 0086-514-80982898
Email: zgj@21yangjie.com

◆MOS销售部

Add: 扬州市维扬经济开发区荷叶西路6号
Tel: 0086-514-80982898
Email: yjrd02@21yangjie.com

◆模块销售部

Add: 扬州市维扬经济开发区荷叶西路6号
Tel: 0514-80981368
Email: xingquan.li@21yangjie.com

◆晶圆销售部

Add: 扬州市维扬经济开发区创业园中路26号
Tel: 0514-80982389
Email: yzbb@21yangjie.com



